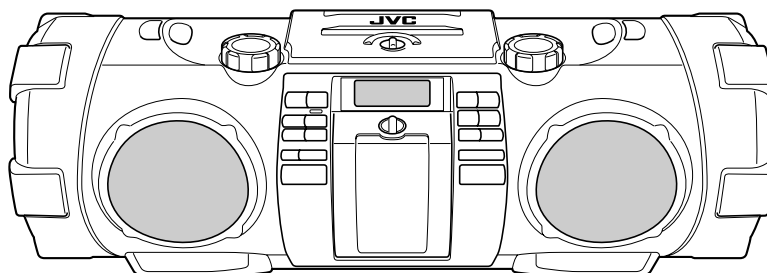


# JVC

## SERVICE MANUAL

POWERED WOOFER CD SYSTEM

**RV-NB50B, RV-NB50E, RV-NB50EN,  
RV-NB50EV, RV-NB51WE, RV-NB51WEN,  
RV-NB51WEV, RV-NB52BB, RV-NB52BE,  
RV-NB52BEN, RV-NB52BEV, RV-NB50J,  
RV-NB50C, RV-NB50US, RV-NB50A,  
RV-NB52BJ**



**MP3/WMA**

Lead free solder used in the board (material : Sn-Ag-Cu, melting point : 219 Centigrade)

### TABLE OF CONTENTS

1	PRECAUTION.....	1-3
2	SPECIFIC SERVICE INSTRUCTIONS.....	1-5
3	DISASSEMBLY.....	1-5
4	ADJUSTMENT.....	1-9
5	TROUBLESHOOTING.....	1-9

## SPECIFICATION

<b>Disc player</b>			
CD capacity	1CD		
Signal-to-noise ratio	85 dB		
Dynamic range	90 dB		
<b>Tuner</b>			
FM tuning range	87.50 MHz - 108.00 MHz		
Antenna	FM telescopic antenna		
<b>General</b>			
Speakers	Full range		8 cm (3 3/16") cone × 2
		Speaker impedance	16 Ω
	Super woofer		13 cm (5 1/8") cone × 2
		Speaker impedance	7 Ω
Output power	40 W		
Input terminal	USB	Playable files	MP3, WMA
		Compatible device	Mass storage class
		Output power	DC 5 V 500 mA
	Dock for iPod		DC 5 V 500 mA
	DC IN		DC 12 V
Output terminal	PHONES (Ø3.5) × 1		
Power supply	AC 230 V , 50 Hz (Europe)		
	AC 120 V , 60 Hz (Northern America)		
	AC 240 V , 50 Hz (Australia)		
	AC 110 V - 240V , 50 Hz/60 Hz (Other area)		
	DC 15 V (R20 (SUM-1)/D (13D)-size batteries × 10)		
	External DC 12 V (Car battery via the optional car adapter)		
Power	consumption	When using an AC outlet	28 W (at operation)
			1 W (on standby)
		External DC 12 V	2 A (power on mode)
Dimensions	666 mm (26 1/4") × 231 mm (9 1/8") × 240 mm (9 1/2") (W/H/D)		
Mass	Approx. 6.8 kg (15.0 lds) (without batteries stored in the battery compartment)		

Designs & specifications are subject to change without notice.

# SECTION 1 PRECAUTION

## 1.1 Safety Precautions

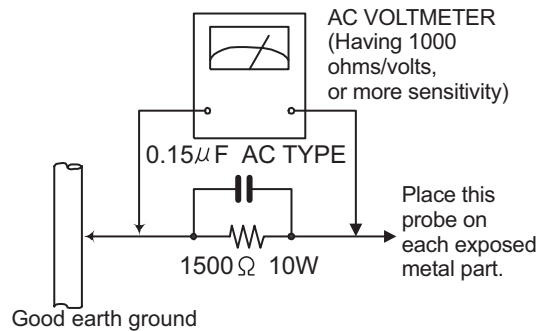
- (1) This design of this product contains special hardware and many circuits and components specially for safety purposes. For continued protection, no changes should be made to the original design unless authorized in writing by the manufacturer. Replacement parts must be identical to those used in the original circuits. Services should be performed by qualified personnel only.
- (2) Alterations of the design or circuitry of the product should not be made. Any design alterations of the product should not be made. Any design alterations or additions will void the manufacturer's warranty and will further relieve the manufacturer of responsibility for personal injury or property damage resulting therefrom.
- (3) Many electrical and mechanical parts in the products have special safety-related characteristics. These characteristics are often not evident from visual inspection nor can the protection afforded by them necessarily be obtained by using replacement components rated for higher voltage, wattage, etc. Replacement parts which have these special safety characteristics are identified in the Parts List of Service Manual. Electrical components having such features are identified by shading on the schematics and by ( $\Delta$ ) on the Parts List in the Service Manual. The use of a substitute replacement which does not have the same safety characteristics as the recommended replacement parts shown in the Parts List of Service Manual may create shock, fire, or other hazards.
- (4) The leads in the products are routed and dressed with ties, clamps, tubings, barriers and the like to be separated from live parts, high temperature parts, moving parts and/or sharp edges for the prevention of electric shock and fire hazard. When service is required, the original lead routing and dress should be observed, and it should be confirmed that they have been returned to normal, after reassembling.
- (5) Leakage shock hazard testing

After reassembling the product, always perform an isolation check on the exposed metal parts of the product (antenna terminals, knobs, metal cabinet, screw heads, headphone jack, control shafts, etc.) to be sure the product is safe to operate without danger of electrical shock. Do not use a line isolation transformer during this check.

- Plug the AC line cord directly into the AC outlet. Using a "Leakage Current Tester", measure the leakage current from each exposed metal part of the cabinet, particularly any exposed metal part having a return path to the chassis, to a known good earth ground. Any leakage current must not exceed 0.5mA AC (r.m.s.).
- Alternate check method  
Plug the AC line cord directly into the AC outlet. Use an AC voltmeter having, 1,000 $\Omega$  per volt or more sensitivity in the following manner. Connect a 1,500 $\Omega$  10W resistor paralleled by a 0.15 $\mu$ F AC-type capacitor between an exposed metal part and a known good earth ground. Measure the AC voltage across the resistor with the AC

voltmeter.

Move the resistor connection to each exposed metal part, particularly any exposed metal part having a return path to the chassis, and measure the AC voltage across the resistor. Now, reverse the plug in the AC outlet and repeat each measurement. Voltage measured any must not exceed 0.75 V AC (r.m.s.). This corresponds to 0.5 mA AC (r.m.s.).



## 1.2 Warning

- (1) This equipment has been designed and manufactured to meet international safety standards.
- (2) It is the legal responsibility of the repairer to ensure that these safety standards are maintained.
- (3) Repairs must be made in accordance with the relevant safety standards.
- (4) It is essential that safety critical components are replaced by approved parts.
- (5) If mains voltage selector is provided, check setting for local voltage.

## 1.3 Caution

**Burrs formed during molding may be left over on some parts of the chassis.**

**Therefore, pay attention to such burrs in the case of pre-forming repair of this system.**

## 1.4 Critical parts for safety

In regard with component parts appearing on the silk-screen printed side (parts side) of the PWB diagrams, the parts that are printed over with black such as the resistor (  $\blacksquare$  ), diode (  $\blacksquare$  ) and ICP (  $\bullet$  ) or identified by the " $\Delta$ " mark nearby are critical for safety. When replacing them, be sure to use the parts of the same type and rating as specified by the manufacturer. (This regulation does not Except the J and C version)

## 1.5 Preventing static electricity

Electrostatic discharge (ESD), which occurs when static electricity stored in the body, fabric, etc. is discharged, can destroy the laser diode in the traverse unit (optical pickup). Take care to prevent this when performing repairs.

### 1.5.1 Grounding to prevent damage by static electricity

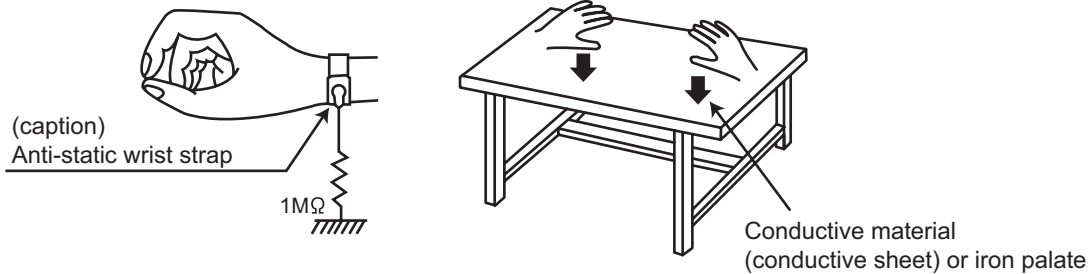
Static electricity in the work area can destroy the optical pickup (laser diode) in devices such as laser products. Be careful to use proper grounding in the area where repairs are being performed.

(1) Ground the workbench

Ground the workbench by laying conductive material (such as a conductive sheet) or an iron plate over it before placing the traverse unit (optical pickup) on it.

(2) Ground yourself

Use an anti-static wrist strap to release any static electricity built up in your body.



(3) Handling the optical pickup

- In order to maintain quality during transport and before installation, both sides of the laser diode on the replacement optical pickup are shorted. After replacement, return the shorted parts to their original condition. (Refer to the text.)
- Do not use a tester to check the condition of the laser diode in the optical pickup. The tester's internal power source can easily destroy the laser diode.

## 1.6 Handling the traverse unit (optical pickup)

- (1) Do not subject the traverse unit (optical pickup) to strong shocks, as it is a sensitive, complex unit.
- (2) Cut off the shorted part of the flexible cable using nippers, etc. after replacing the optical pickup. For specific details, refer to the replacement procedure in the text. Remove the anti-static pin when replacing the traverse unit. Be careful not to take too long a time when attaching it to the connector.
- (3) Handle the flexible cable carefully as it may break when subjected to strong force.
- (4) It is not possible to adjust the semi-fixed resistor that adjusts the laser power. Do not turn it.

## SECTION 2 SPECIFIC SERVICE INSTRUCTIONS

This service manual does not describe SPECIFIC SERVICE INSTRUCTIONS.

## SECTION 3 DISASSEMBLY

### 3.1 Main body (Used figure were RV-NB50E)

#### 3.1.1 Removing the Punching panel (See Fig.1)

- (1) Remove the twelve screws **A** attaching the both side of the Punching panel.

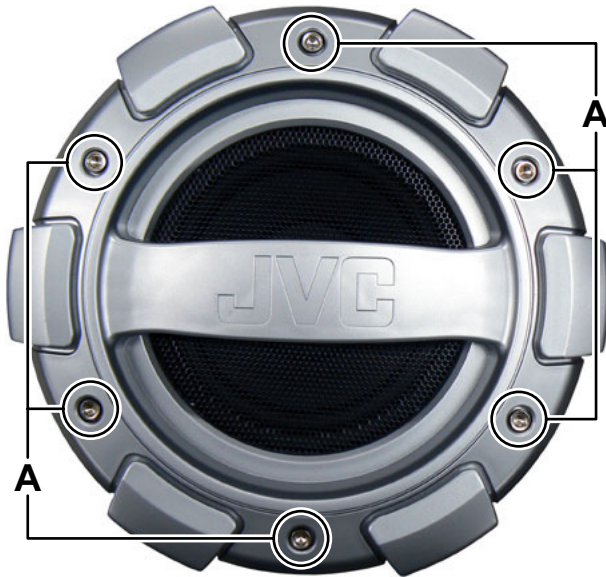


Fig.1

#### 3.1.2 Removing the Rear cabinet (See Fig.2, 3, 4, 5)

- (1) Remove the four screws **B** attaching the both side of the Subwoofer. (See Fig.2)

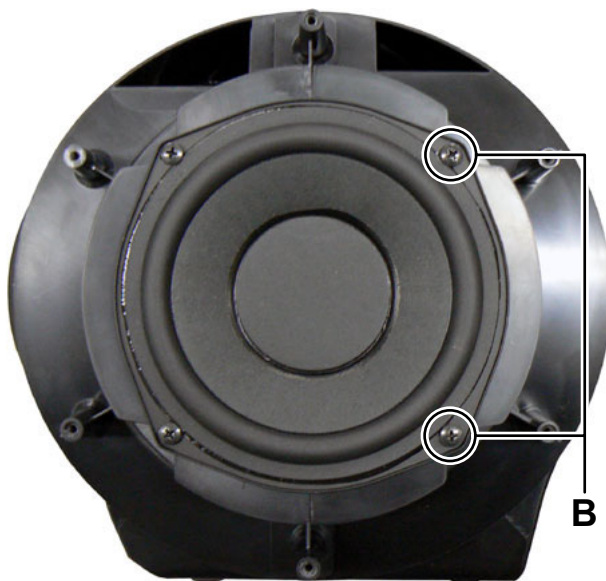


Fig.2

- (2) Remove the ten screws **C** attaching the Rear cabinet. (See Fig.3)

- (3) Remove the two screws **D** attaching the CD mechanism. (See Fig.3)

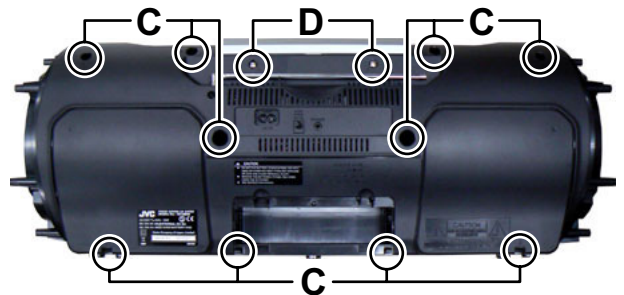


Fig.3

- (4) Disconnect the connector wire from Power supply board connected to connector **CN101** of the Main board. (See Fig.4)

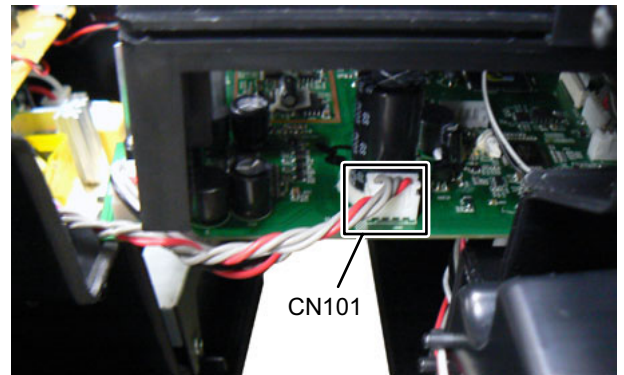
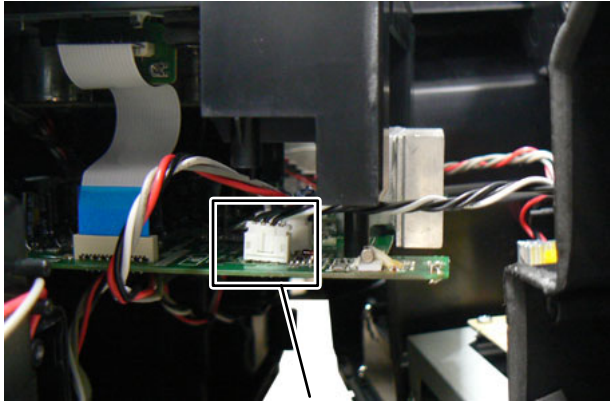


Fig.4



(5) Disconnect the connector wire from Power supply board connected to connector [CN301](#) of the Main board. (See Fig.5)



CN301  
Fig.5

### 3.1.4 Removing the Power supply board (See Fig.8)

(1) Remove the two screws **F** and two screws **G** attaching the Power supply board.

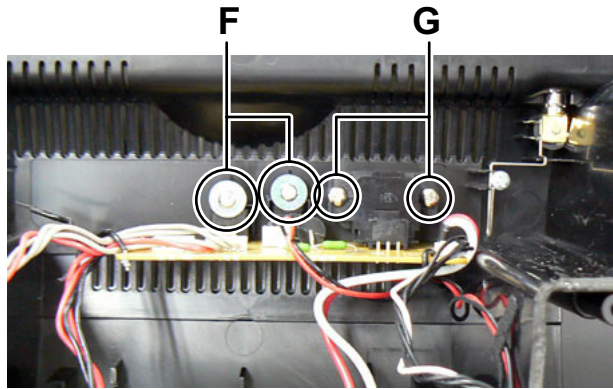


Fig.8

### 3.1.3 Removing the SMPS board (See Fig.6, 7)

(1) Remove the two screws **E** attaching the SMPS board. (See Fig.6)

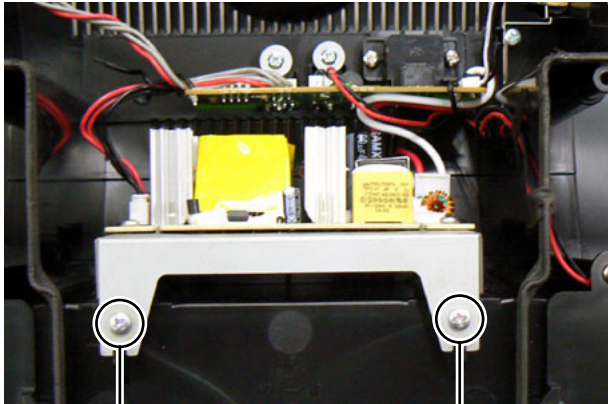


Fig.6

(2) Disconnect the connector wires from Power supply board connected to connectors of SMPS board. (See Fig.7)

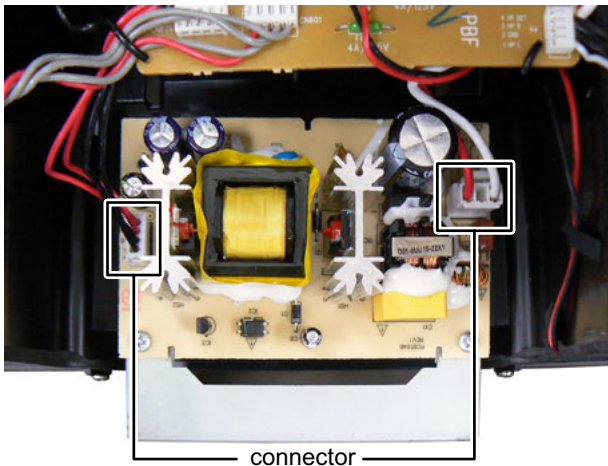


Fig.7

### 3.1.5 Removing the CD mechanism (See Fig.9, 10, 11, 12)

(1) Disconnect the connector wire from Left speaker connected to connector [CN102](#) of the Main board. (See Fig.9)

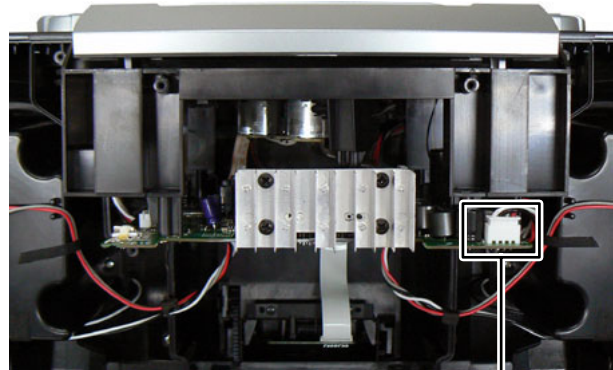


Fig.9

(2) Disconnect the connector wire from Right speaker connected to connector [CN103](#) of the Main board. (See Fig.10)

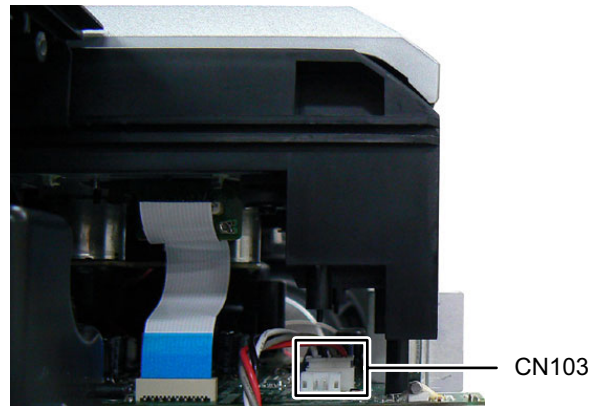


Fig.10

- (3) Disconnect the card wire from Main board connected to connector [CN450](#) of the iPod board. (See Fig.11)
- (4) Disconnect the connector wire from Right key board connected to connector [CN303](#) of the Main board. (See Fig.11)
- (5) Disconnect the connector wire from USB board connected to connector [CN201](#) of the Main board. (See Fig.11)
- (6) Disconnect the connector wire from Left key board connected to connector [CN301](#) of the Main board. (See Fig.11)

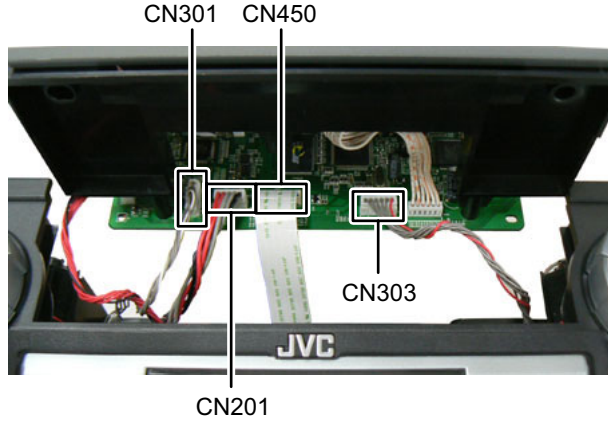


Fig. 11

- (7) Disconnect the connector wire from LCD board connected to connector [CN304](#) of the Main board. (See Fig.12)

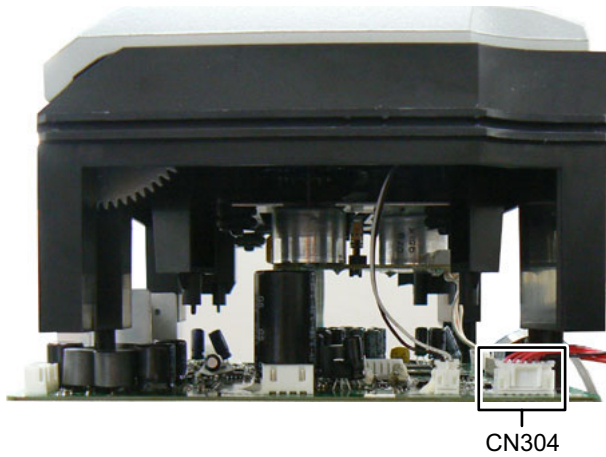


Fig. 12

### 3.1.6 Removing the Main board (See Fig.13, 14, 15, 16)

- (1) Disconnect the card wire from pickup connected to connector [CN701](#) of the Main board. (See Fig.13)

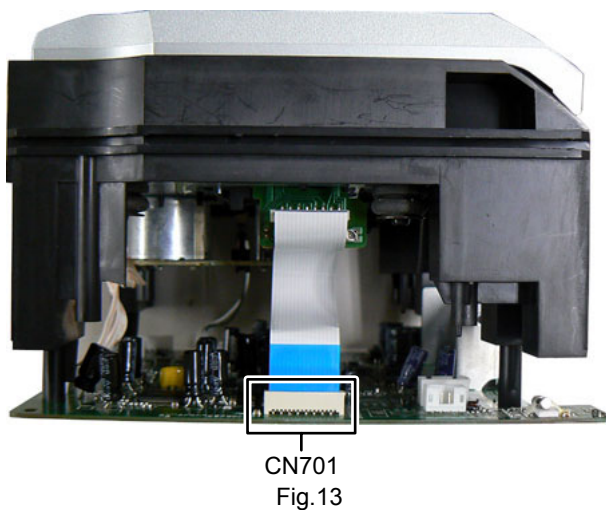


Fig. 13

- (2) Disconnect the connector wire from Main board connected to connector of the Mechanism board. (See Fig.14)

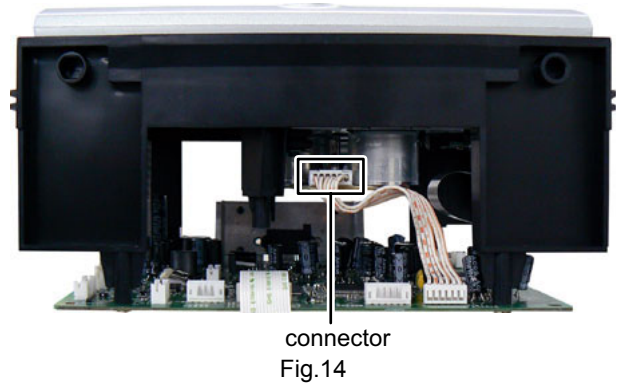


Fig. 14

- (3) Disconnect the connector wire from Door switch board connected to connector [CN305](#) of the Main board. (See Fig.15)

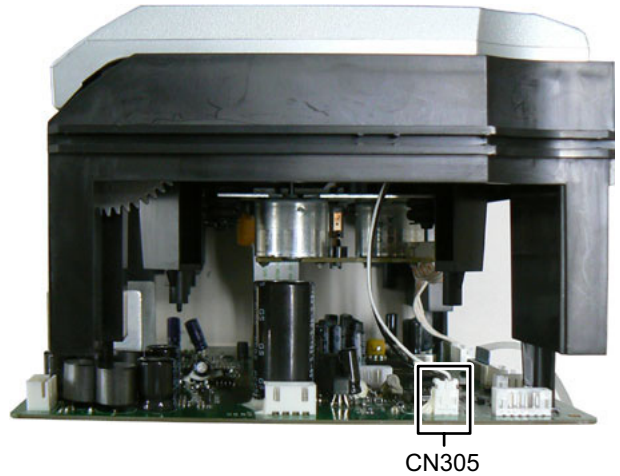


Fig. 15

- (4) Remove the four screws **H** attaching the Main board. (See Fig.16)

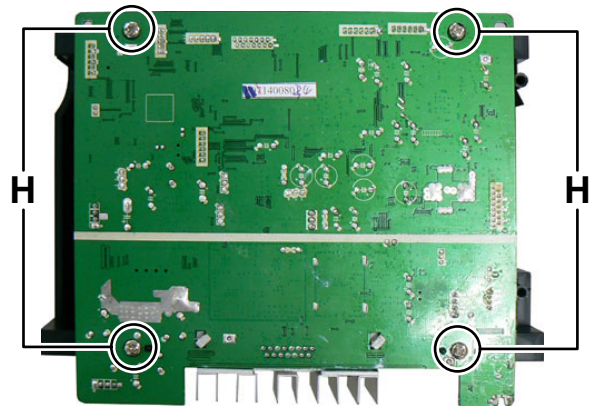


Fig. 16



### 3.1.7 Removing the iPod board (See Fig.17)

- (1) Remove the two screws J attaching the iPod board.

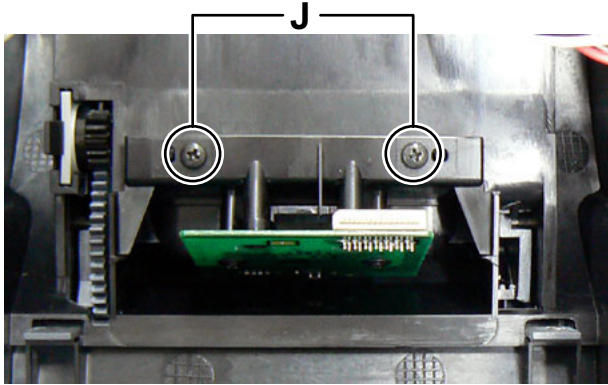


Fig.17

### 3.1.10 Removing the Key board (See Fig.20)

- (1) Remove the twelve screws M attaching the Key boards.

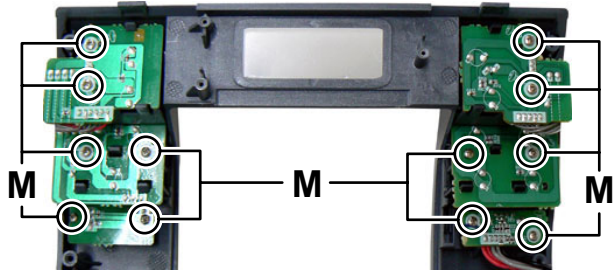


Fig.20

### 3.1.8 Removing the LCD board (See Fig.18)

- (1) Remove the three screws K attaching the LCD board.

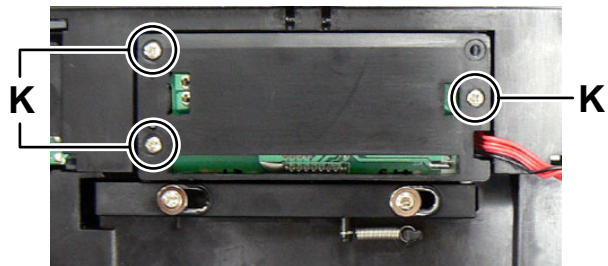


Fig.18

### 3.1.11 Removing the Right speakers (See Fig.21, 22, 23)

- (1) Remove the two screws N attaching the Woofer, (See Fig.21)



Fig.21

### 3.1.9 Removing the Front panel (See Fig.19)

- (1) Disconnect the connector wire from Right key board connected to connector CN407 of the Volume board.
- (2) Disconnect the connector wire from Left key board connected to connector CN408 of the Volume board.
- (3) Remove the four screws L attaching the Front panel.
- (4) Disengage four hooks a engaged Front panel.

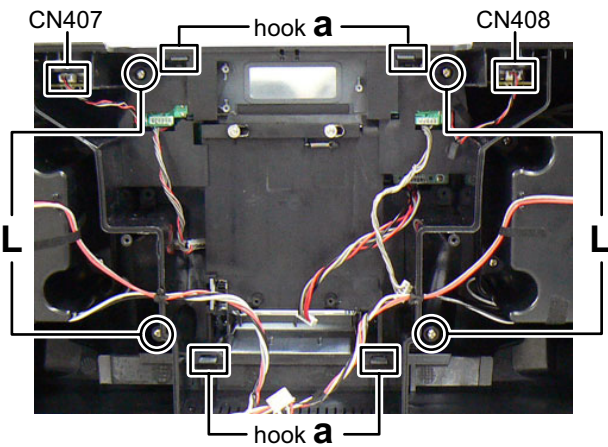


Fig.19

- (2) Remove the four screws P attaching the Speaker cover. (See Fig.22)

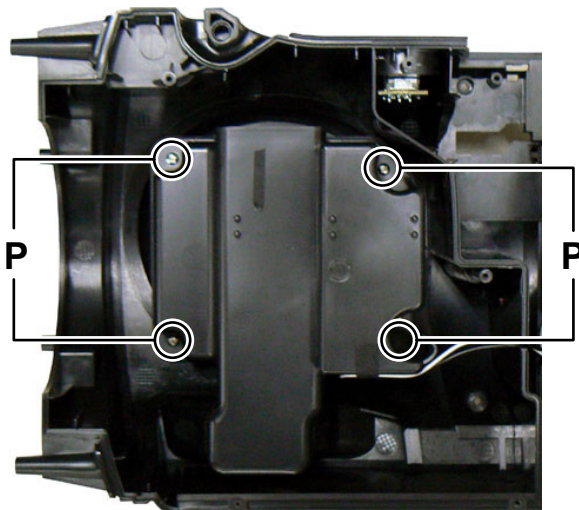


Fig.22



- (3) Remove the four screws **Q** attaching the Main speaker.  
(See Fig.23)

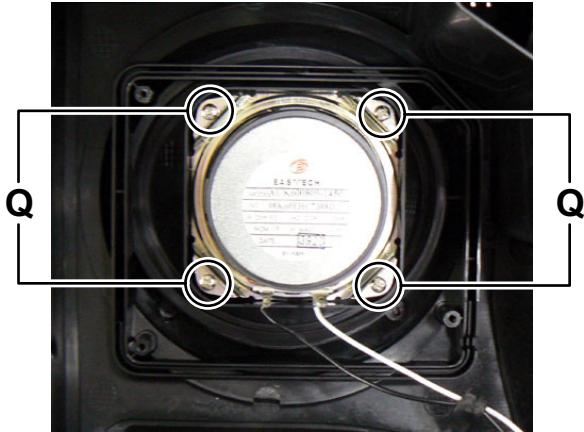


Fig.23

### 3.1.12 Removing the Left speaker

- (1) Left speaker removing method as follow the 3.1.11 Removing the Right speakers.

## SECTION 4 ADJUSTMENT

This service manual does not describe ADJUSTMENT.

## SECTION 5 TROUBLESHOOTING

This service manual does not describe TROUBLESHOOTING.



**JVC**

Victor Company of Japan, Limited  
Home Entertainment Business Division Personal AV Operation 10-1,1chome,Ohwatari-machi,Maebashi-city,371-8543,Japan

---

(No.MB723<Rev.003>)

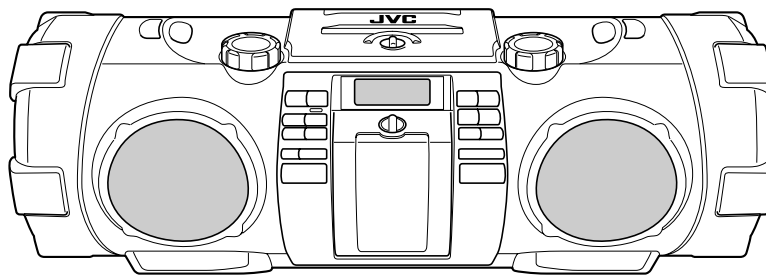
Printed in Japan  
VSE

# JVC

## SCHEMATIC DIAGRAMS

POWERED WOOFER CD SYSTEM

**RV-NB50B, RV-NB50E, RV-NB50EN,  
RV-NB50EV, RV-NB51WE, RV-NB51WEN,  
RV-NB51WEV, RV-NB52BB, RV-NB52BE,  
RV-NB52BEN, RV-NB52BEV, RV-NB50J,  
RV-NB50C, RV-NB50US, RV-NB50A,  
RV-NB52BJ**



**MP3/WMA**

Lead free solder used in the board (material : Sn-Ag-Cu, melting point : 219 Centigrade)

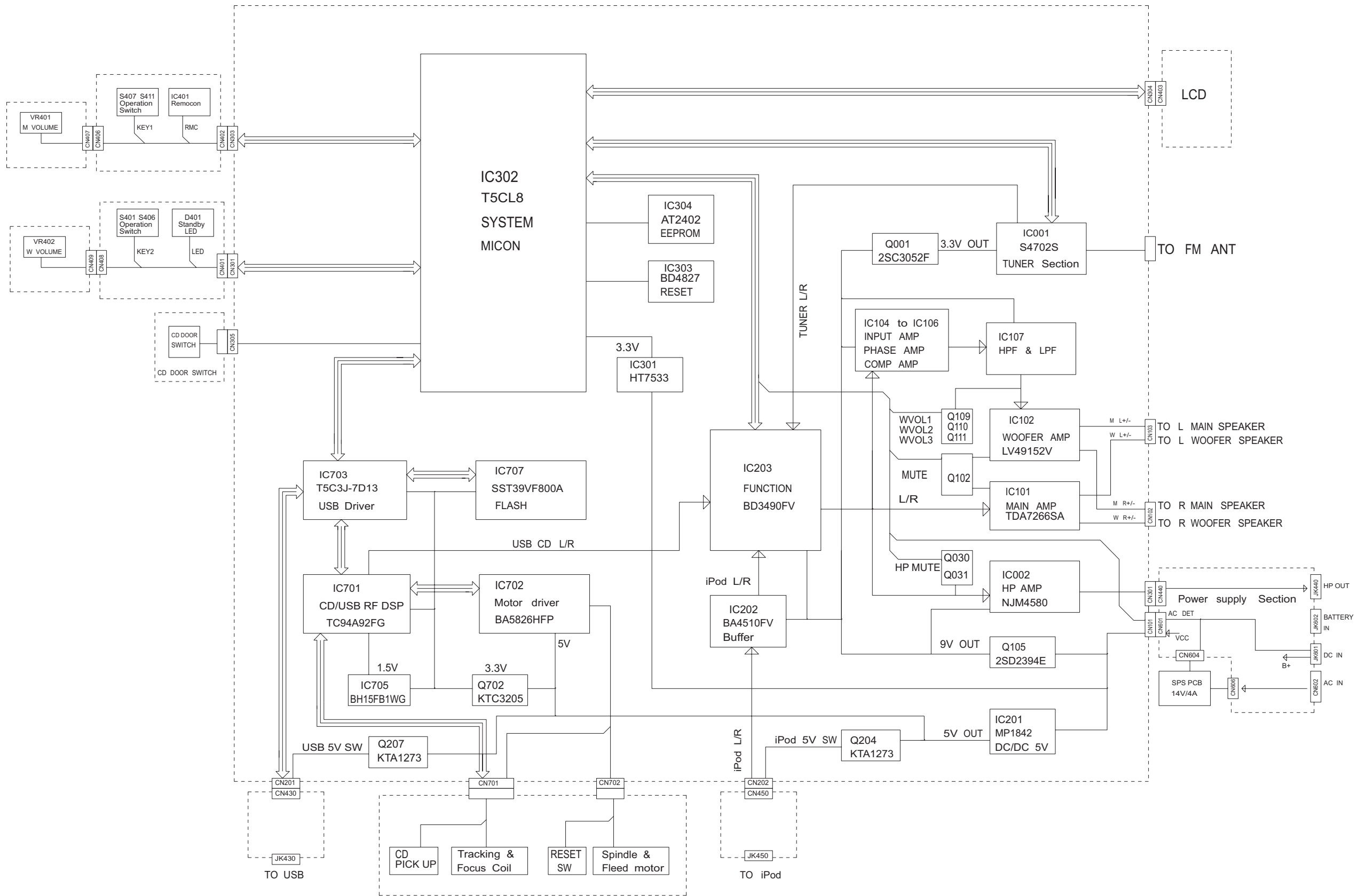
### Contents

Block diagrams .....	2-1
Standard schematic diagrams .....	2-2
Printed circuit boards .....	2-7 to 11



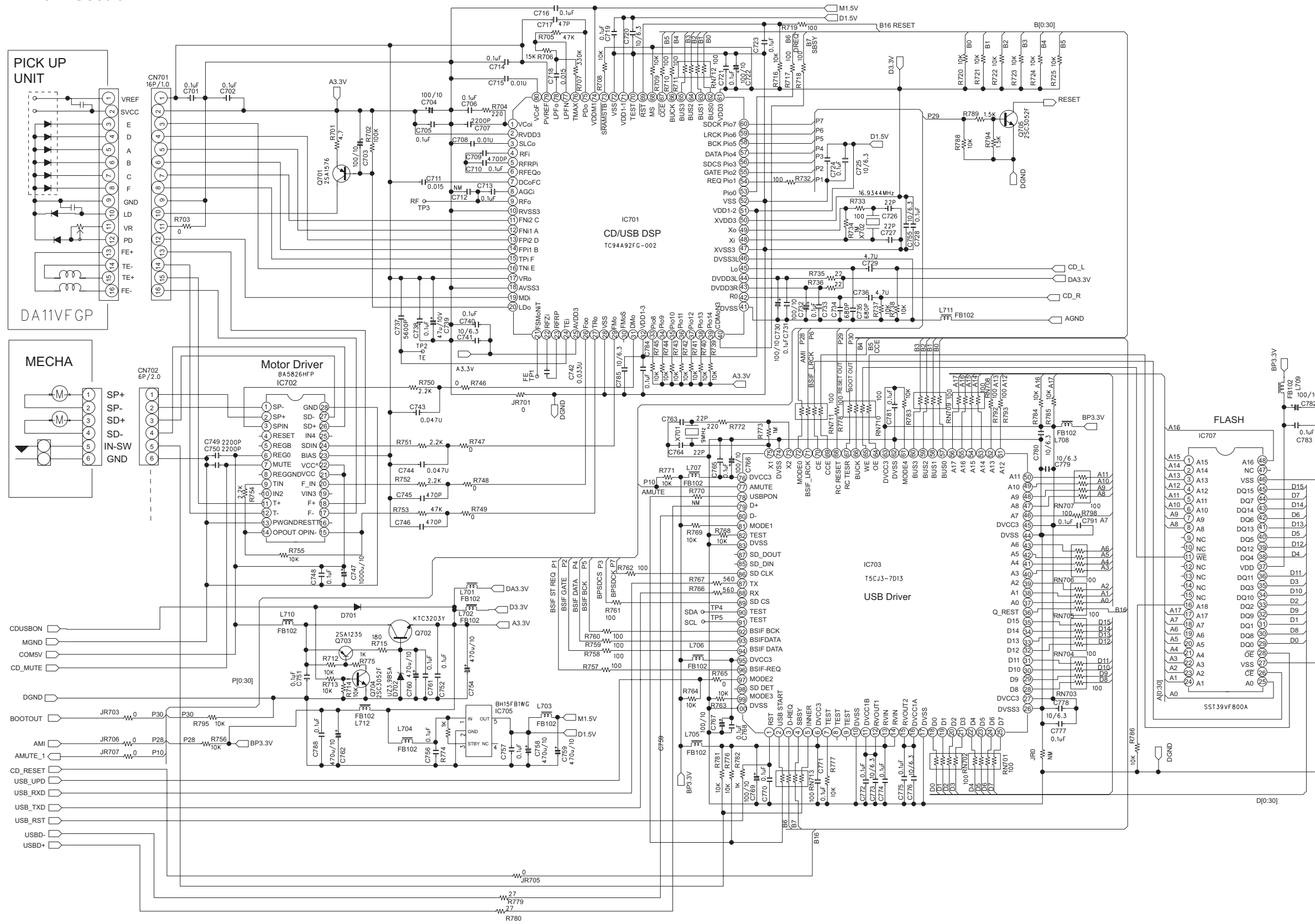
In regard with component parts appearing on the silk-screen printed side (parts side) of the PWB diagrams, the parts that are printed over with black such as the resistor (■), diode (▣) and ICP (●) or identified by the "▲" mark nearby are critical for safety.

# Block Diagram



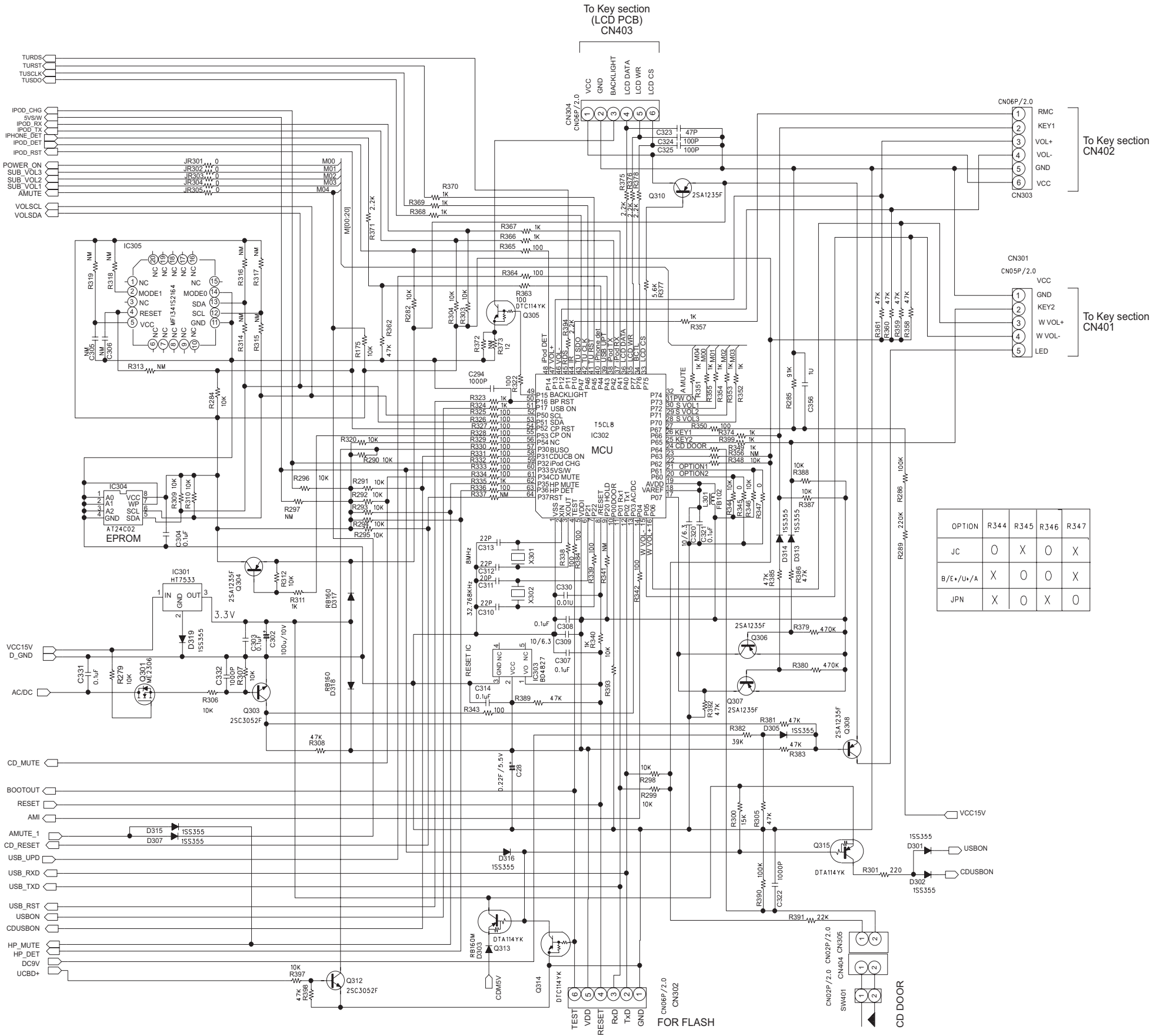
# Standard schematic diagrams

<Main Section 1>

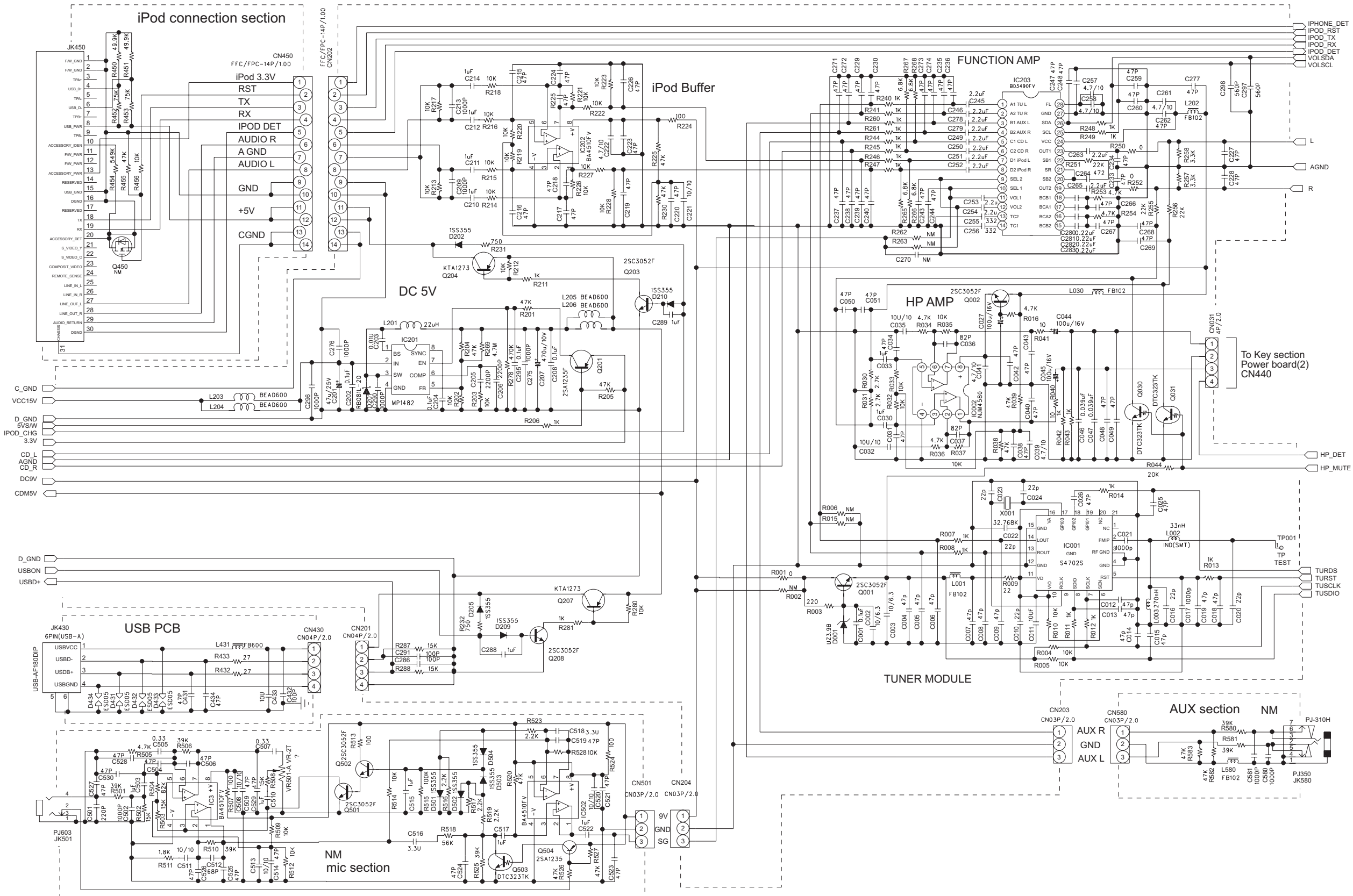




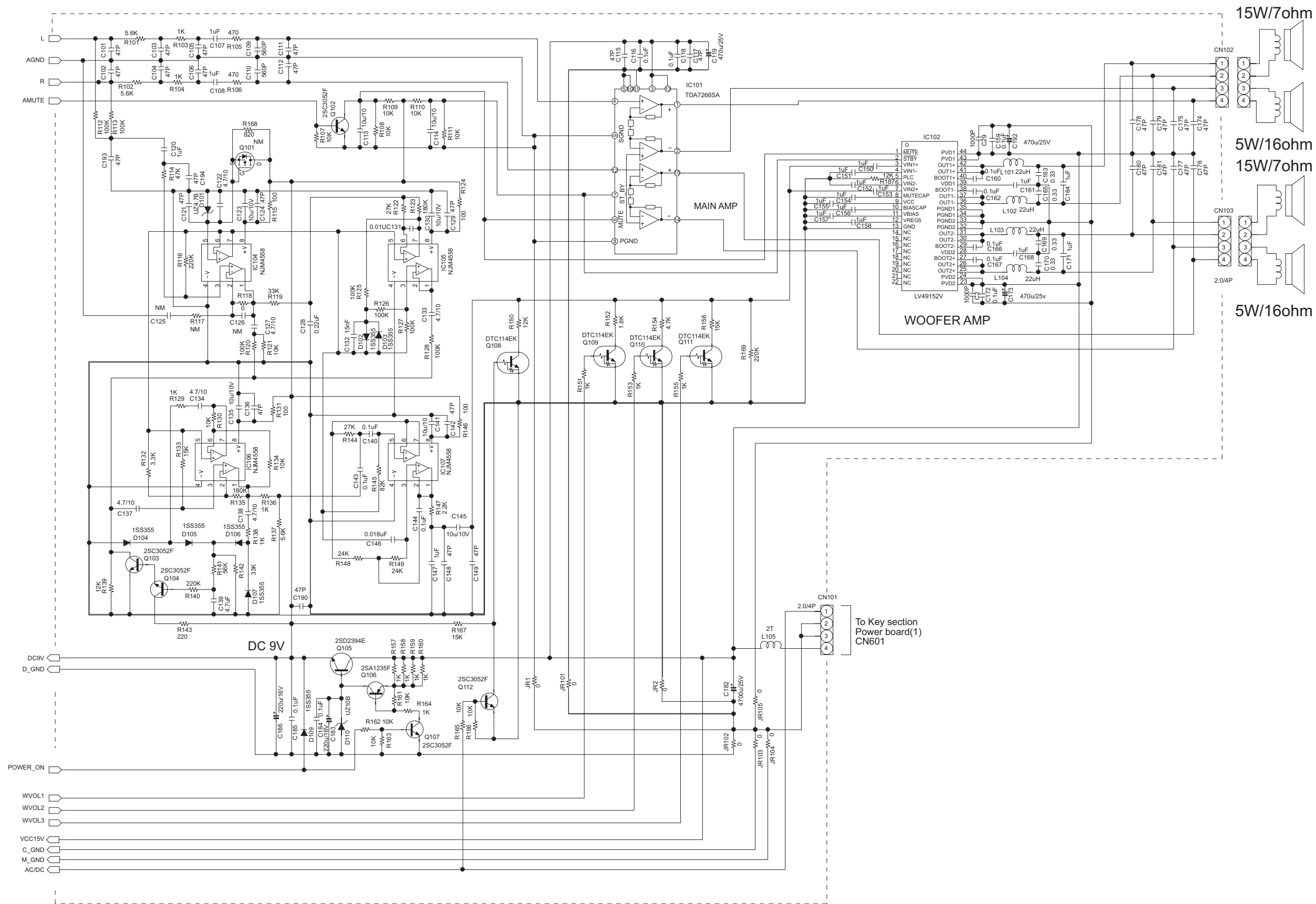
<Main Section 2>



<Main Section 3 and iPod section>

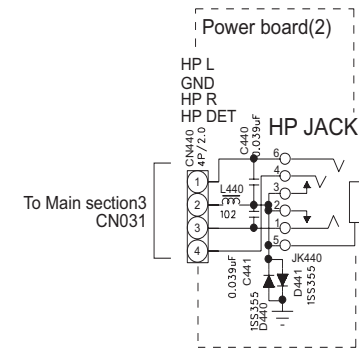
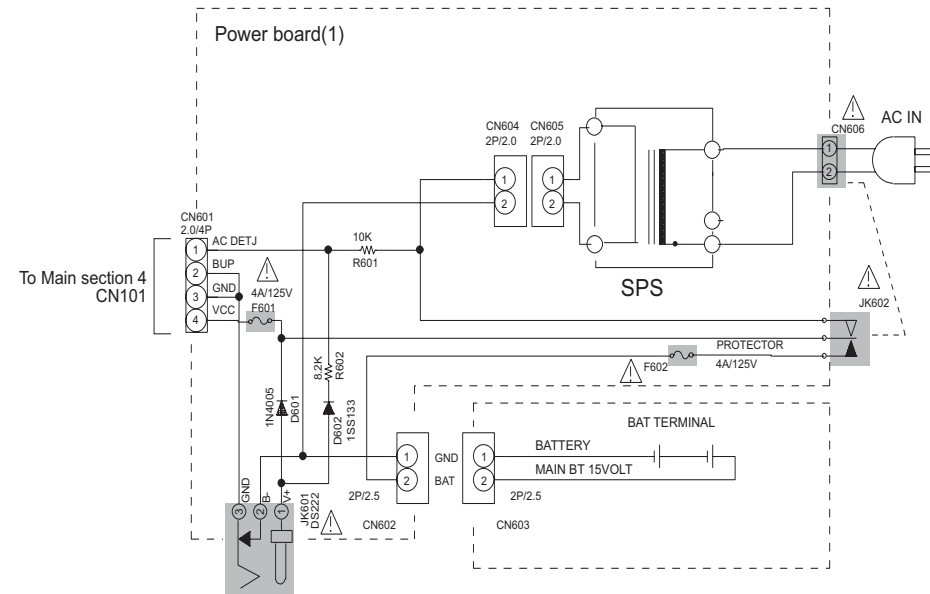
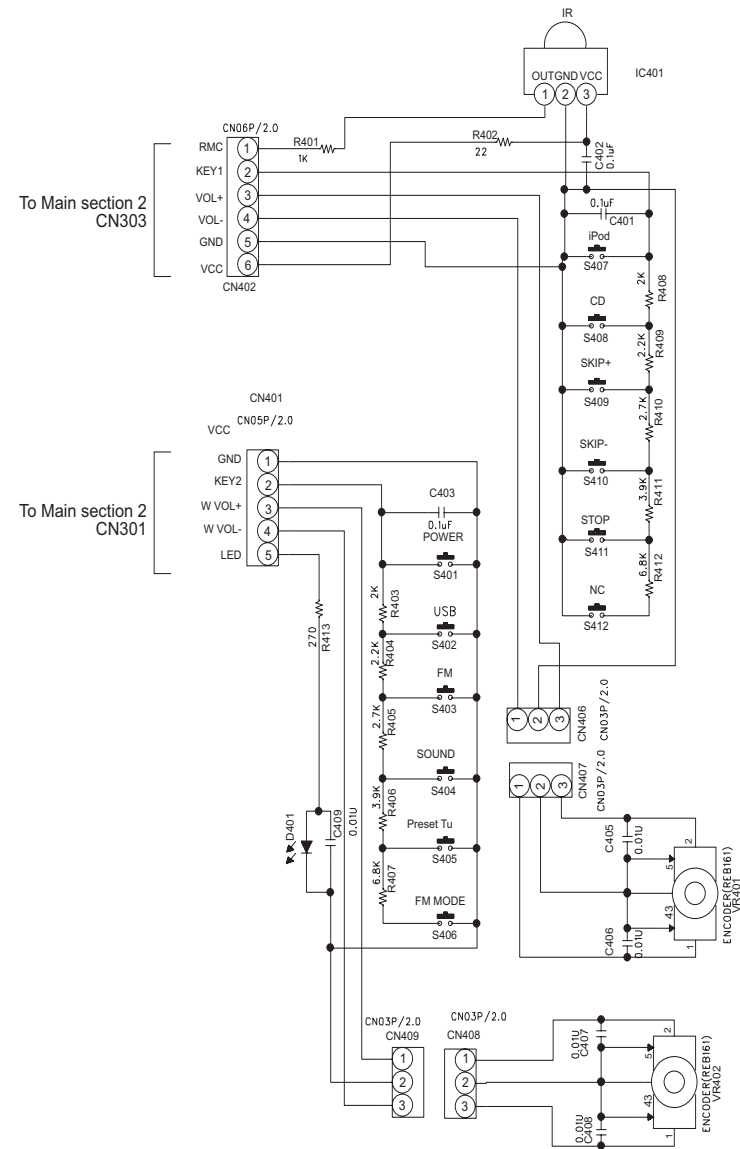


<Main Section 4>

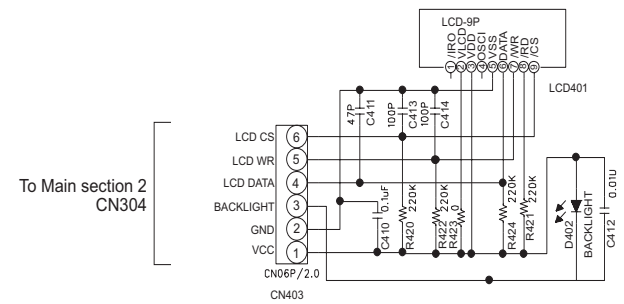




<Key Section>



NOTE) ⚠ Warning  
Parts that are shaded are critical  
With respect to risk of fire or  
electrical shock.

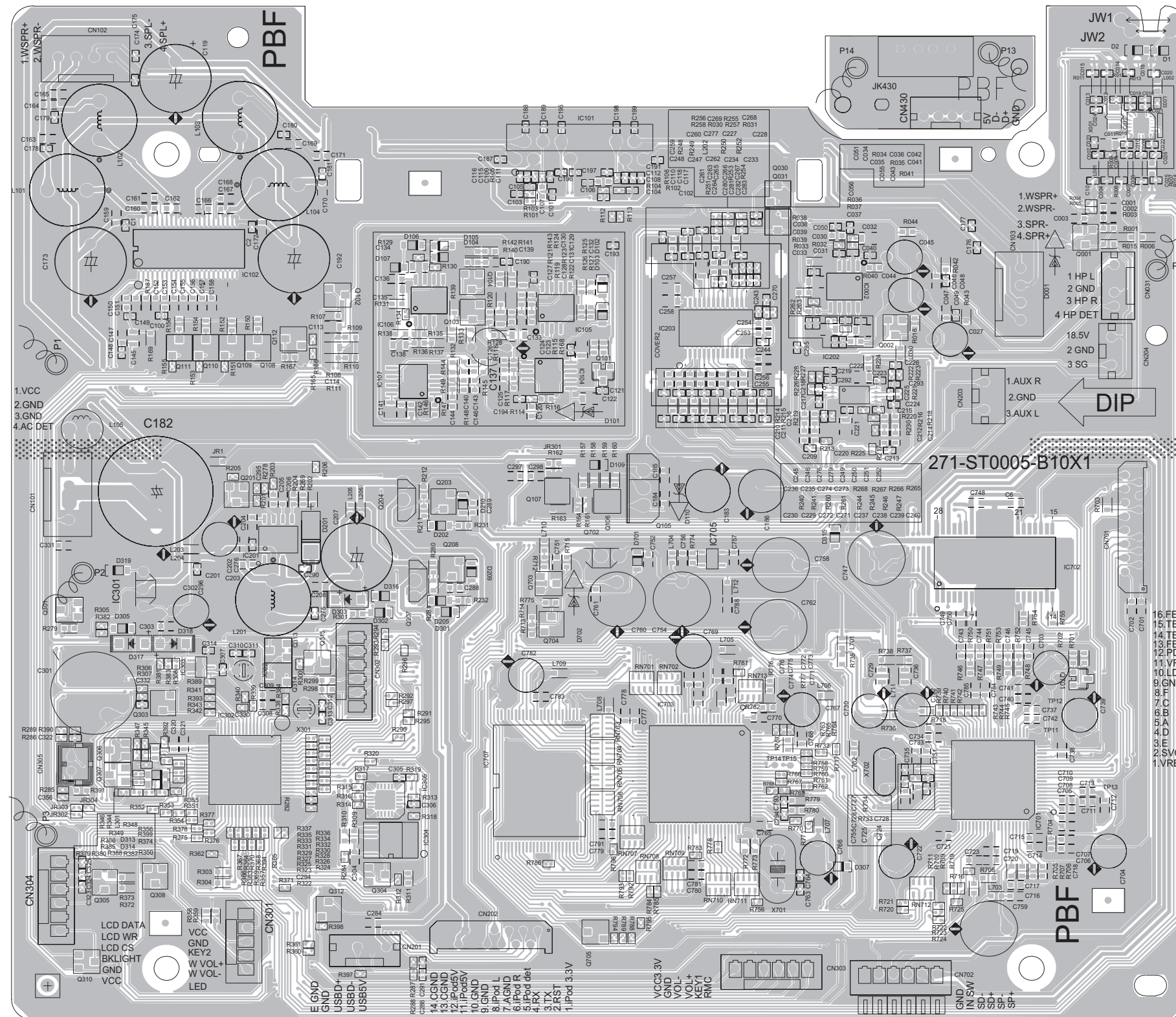


# Printed circuit boards

## <Main board>

(Lead free solder used in the board (material : Sn-Ag-Cu, melting point : 219 Centigrade))

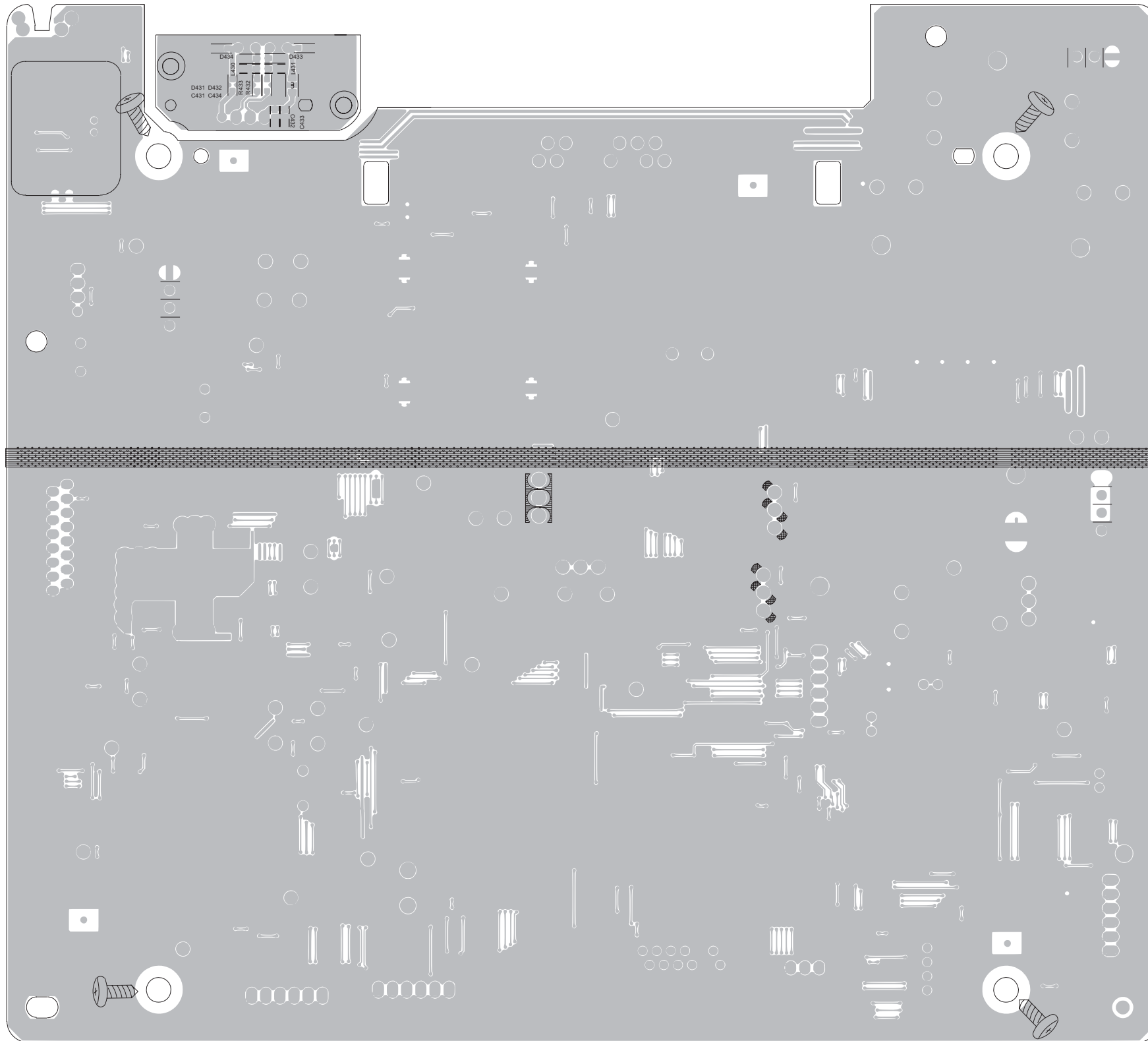
(forward side)



**<Main board>**

(Lead free solder used in the board (material : Sn-Ag-Cu, melting point : 219 Centigrade))

(reverse side)



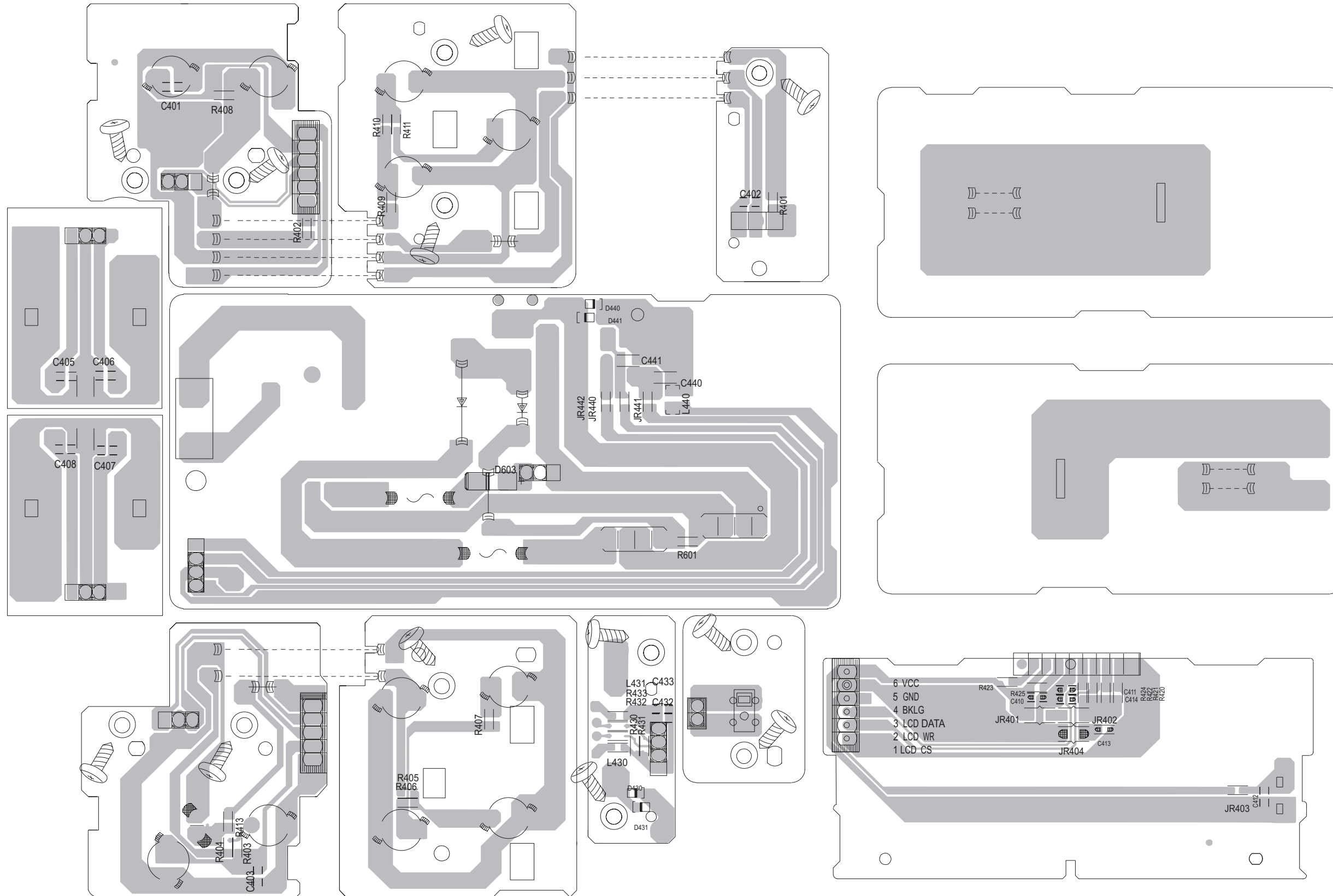




**<Key board>**

(Lead free solder used in the board (material : Sn-Ag-Cu, melting point : 219 Centigrade))

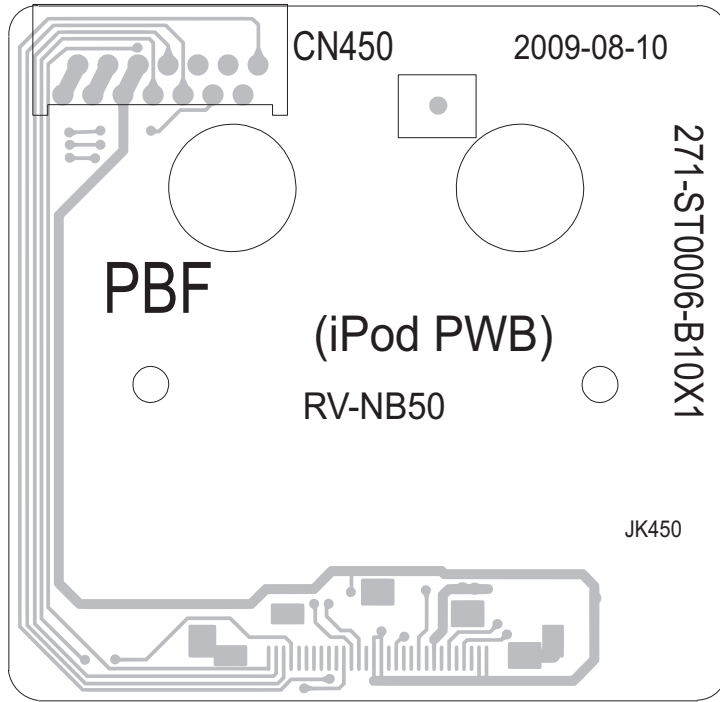
(reverse side)



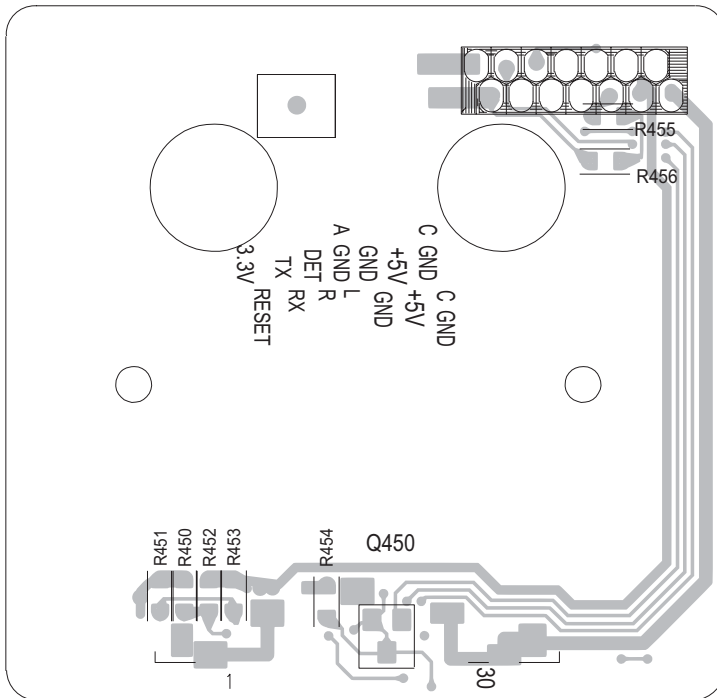
# <iPod board>

(Lead free solder used in the board (material : Sn-Ag-Cu, melting point : 219 Centigrade))

(forward side)



(reverse side)





Victor Company of Japan, Limited

Home Entertainment Business Division Personal AV Operation



# PARTS LIST

RV-NB50B, RV-NB50E, RV-NB50EN  
 RV-NB50EV, RV-NB51WE, RV-NB51WEN  
 RV-NB51WEV, RV-NB52BB, RV-NB52BE  
 RV-NB52BEN, RV-NB52BEV, RV-NB50J  
 RV-NB50C, RV-NB50US, RV-NB50A  
 RV-NB52BJ

MODEL	MARK
RV-NB50B	A
RV-NB50E	B
RV-NB50EN	C
RV-NB50EV	D
RV-NB51WE	E
RV-NB51WEN	F

MODEL	MARK
RV-NB51WEV	G
RV-NB52BB	H
RV-NB52BE	I
RV-NB52BEN	J
RV-NB52BEV	K
RV-NB50J	L

MODEL	MARK
RV-NB50C	M
RV-NB50US	N
RV-NB50A	O
RV-NB52BJ	P

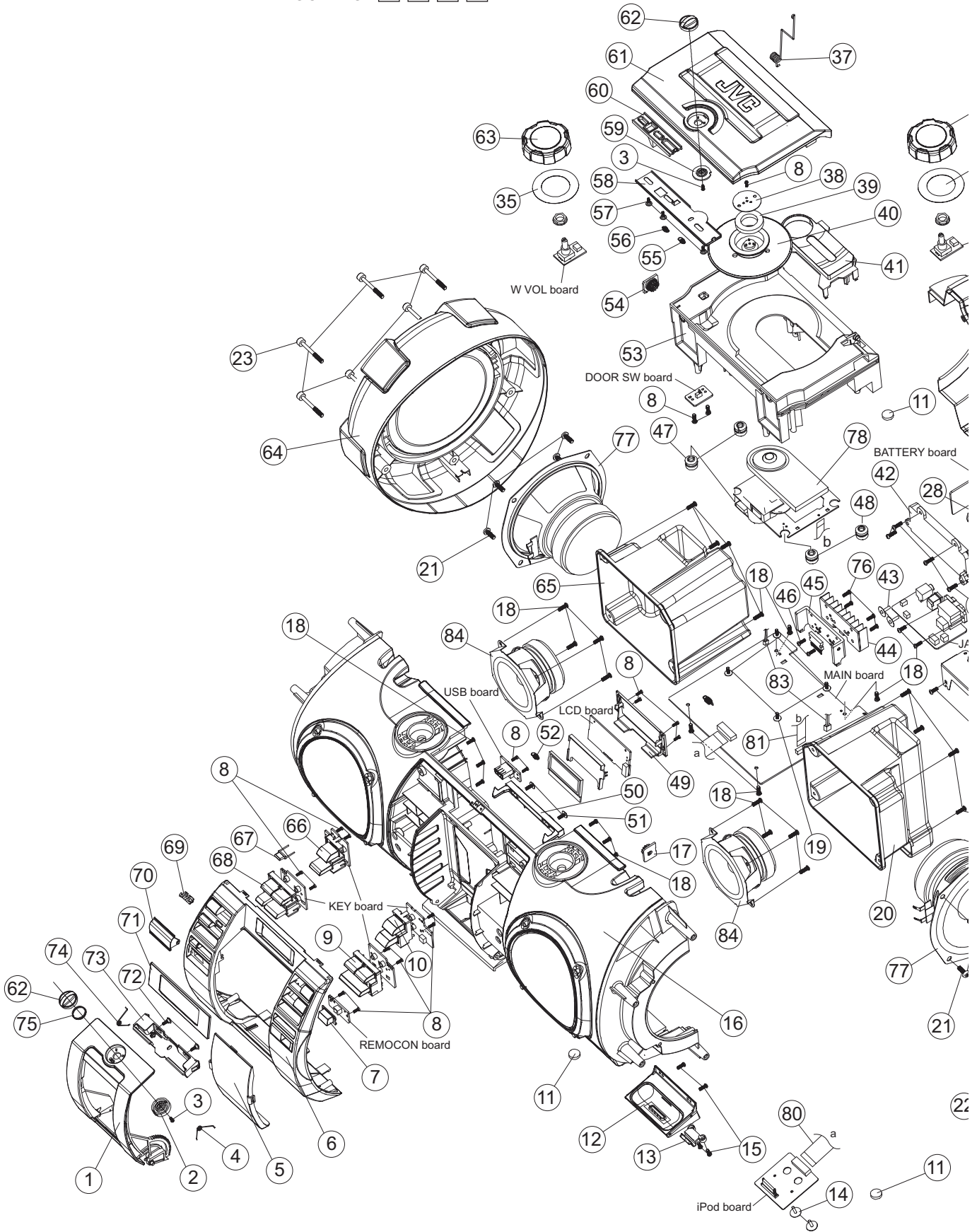
\* All printed circuit boards and its assemblies are not available as service parts.

- Contents -

Exploded view of general assembly and parts list (Block No.M1) ..... 3- 2  
 Electrical parts list (Block No.01~03) ..... 3- 6  
 Packing materials and accessories parts list (Block No.M3) ..... 3-13

# Exploded view of general assembly and parts list

Block No. **M 1 M M**





# General Assembly

Block No. [M][1][M][M]

Symbol No.	Part No.	Part Name	Description	Local
1	BI300N00596000	iPod DOOR		A,B,C,D,N,O
1	BI300N00596100	iPod DOOR		E,F,G
1	BI300N00596200	iPod DOOR		H,I,J,K,P
1	BI300N00596001	iPod DOOR		L,M
2	BI300N00654000	LOCK KNOB		
3	BI372U20060YTN	SPECIAL SCREW	2x6mm(x2)	
4	BI2036940101X1	DOOR SPRING R		
5	BI300N00589000	iPod WINDOW		
6	BI300N00656000	FRONT PANEL		A,B,C,D,E,F,G,N,O
6	BI300N00656200	FRONT PANEL		H,I,J,K
6	BI300N00656001	FRONT PANEL		L,M
6	BI300N00656202	FRONT PANEL		P
7	BI300N00650000	LENS		A,B,C,D,E,F,G,L,M,N,O
7	BI300N00650100	LENS		H,I,J,K,P
8	BI372B20060NTN	SCREW	2x6mm(x19)	
9	BI300N00605000	RIGHT BOTTON DOWN		A,B,C,D,E,F,G,L,M,N,O
9	BI300N00605100	RIGHT BOTTON DOWN		H,I,J,K
9	BI300N00605101	RIGHT BOTTON DOWN		P
10	BI300N00607000	RIGHT BOTTON UP		A,B,C,D,E,F,G,L,M,N,O
10	BI300N00607100	RIGHT BOTTON UP		H,I,J,K
10	BI300N00607101	RIGHT BOTTON UP		P
11	BI3033060101X1	FOOT	(x4)	
12	BI300N00593000	iPod HOLDER		A,B,C,D,H,I,J,K,L,M,N,O,P
12	BI300N00593100	iPod HOLDER		E,F,G
13	BI1002490101X1	LATCH BRACKET		
14	BI372W20060BTN	WASHER	2x6mm(x2)	
15	BI372B26080BTN	SCREW	2.6x8mm(x4)	
16	BIG31NB50AA02B	FRONT CABINET		A,B,C,D,N,O
16	BIG31NB50AA02W	FRONT CABINET		E,F,G
16	BIG31NB52AA02B	FRONT CABINET		H,I,J,K
16	G31NB50AA05BXO	FRONT CABINET		L,M
16	BIG31NB52AA05B	FRONT CABINET		P
17	BI3009240101X0	DAMPER		A,B,C,D,E,F,G,L,M,N,O,P
17	BI3009240101X1	DAMPER		H,I,J,K
18	BI372B30100NTN	SCREW	3x10mm(x40)	
18	BI372B30100NTN	SCREW	3x10mm(x36)	
19	BI377P26100BTN	WASHER	2.6x10mm(x4)	
20	BI300N00595000	SPEAKER COVER R		A,B,C,D,E,F,G,H,I,J,K,N,O
21	BI372B401120BTN	SCREW	4x12mm(x8)	L,M,P
22	BIG31NB50AR02B	SIDE PANEL R		A,B,C,D,E,F,G,N,O
22	BIG31NB52AR02B	SIDE PANEL R		H,I,J,K
22	BIG31NB50AR05B	SIDE PANEL R		L,M
22	BIG31NB52AR05B	SIDE PANEL R		P
23	BI377S40350NTN	SCREW	4x35mm(x12)	
23	BI377S40350BTN	SCREW	4x35mm(x12)	A,B,C,D,E,F,G,L,M,N,O
24	BI2036860101X1	HOLDER		H,I,J,K,P
25	BI300N00649000	BATTERY COVER R		A,B,C,D,H,I,J,K,L,M,N,O,P
25	BI300N00649100	BATTERY COVER R		E,F,G
26	BI377P30080YTN	SCREW	3x8mm	
27	BI2036960101X1	ANTENNA SPRING		
28	BI2036920101X1	BATTERY CONTACT(-)	(x2)	
29	BI300N00582000	REAR CABINET		A,B,C,D,H,I,J,K,N,O
29	BI300N00582100	REAR CABINET		E,F,G
29	BI300S00059000	REAR CABINET		L,M
29	BI300S00059001	REAR CABINET		P
30	BI372B30350BTH	SCREW	3x35mm(x10)	
30	BI372B30350NTH	SCREW	3x35mm(x10)	A,B,C,D,H,I,J,K,N,O,P
31	BI300N00608000	SHAFT		E,F,G,L,M
31	BI300N00608100	SHAFT		A,B,C,D,H,I,J,K,L,M,N,O,P
32	BI300N00587000	BATTERY LID		E,F,G
32	BI300N00587100	BATTERY LID		A,B,C,D,H,I,J,K,L,M,N,O,P
33	BI375B30080BMN	SCREW	3x8mm	E,F,G
34	BI372B30100BTN	SCREW	3x10mm(x2)	
34	BI372B30100NTN	SCREW	3x10mm(x2)	A,B,C,D,E,F,G,H,I,J,K,N,O,P
35	BI3033050101X1	VOLUME SHEET	(x2)	L,M
36	BI300N00584000	VOLUME KNOB		A,B,C,D,E,F,G,L,M,N,O
36	BI300N00584100	VOLUME KNOB		H,I,J,K,P
37	BI2036890101X1	LID SPRING		
38	BI2034630101X1	MAGNET PLATE		
39	BI2035520101X1	CD DOOR MAGNET		
40	BI300N00591000	CHUCK PLATE		
41	BI300N00590000	CD COVER		A,B,C,D,E,F,G,H,I,J,K,N,O
41	BI300N00590001	CD COVER		L,M,P
42	BI300N00648000	BATTERY COVER L		A,B,C,D,H,I,J,K,L,M,N,O,P

△	Symbol No.	Part No.	Part Name	Description	Local
	42	BI300N00648100	BATTERY COVER L		E,F,G
	43	BI377W30080YTN	SCREW	3x8mm(x2)	
	44	BI2036070101X1	HEAT SINK B		
	45	BI2036060101X1	HEAT SINK A		A,B,C,D,E,F,G,N,O,P
	45	BI2036060102X1	HEAT SINK A		H,I,J,K,L,M
	46	BI375B30080BMN	SCREW	3x8mm(x2)	A,B,C,D,H,I,J,K,N,O
	46	BI375B30080NMN	SCREW	3x8mm(x2)	E,F,G,L,M,P
	47	BI3033080101X1	CD RUBBER	BLACK(x2)	
	48	BI3033070101X1	CD RUBBER	GRAY(x2)	
	49	BI300N00588000	LCD HOLDER		A,B,C,D,E,F,G,N,O
	49	BI300N00588001	LCD HOLDER		H,I,J,K,L,M,P
	50	BI300N00681000	iPod LOCK HOLDER		
	51	BI377P26080NTN	SCREW	2.6x8mm(x2)	
	52	BI2036870101X1	iPod HOLDER SPRING		
	53	BI300N00602000	CD CHASSIS		A,B,C,D,H,I,J,K,N,O
	53	BI300N00602100	CD CHASSIS		E,F,G
	53	BI300S00062000	CD CHASSIS		L,M
	53	BI300S00062001	CD CHASSIS		P
	54	BI300N00167000	DAMPER		
	55	BI2036910101X1	HOLDER SPRING		A,B,C,D,E,F,G,N,O
	55	BI2036910102X1	HOLDER SPRING		H,I,J,K,L,M,P
	56	BI2036900101X1	LEVER SPRING		A,B,C,D,E,F,G,N,O
	56	BI2036900102X1	LEVER SPRING		H,I,J,K,L,M,P
	57	BI377W20060BTN	SCREW	2x6mm(x3)	
	58	BI2036840101X1	LOCK HOLDER		A,B,C,D,E,F,G,H,I,J,K,L,M,N,O
	58	BI2036840102X1	LOCK HOLDER		P
	59	BI300N00600000	KNOB HOLDER		
	60	BI300N00601000	LOCK LEVER		
	61	BI300N00599000	CD LID		A,B,C,D,E,F,G,L,M,N,O
	61	BI300N00599200	CD LID		H,I,J,K,P
	62	BI300N00585000	LOCK KNOB	(x2)	A,B,C,D,E,F,G,L,M,N,O
	62	BI300N00585100	LOCK KNOB	(x2)	H,I,J,K,P
	63	BI300N00592000	VOLUME KNOB		A,B,C,D,E,F,G,L,M,N,O
	63	BI300N00592100	VOLUME KNOB		H,I,J,K,P
	64	BIG31NB50AL02B	SIDE PANEL L		A,B,C,D,E,F,G,N,O
	64	BIG31NB52AL02B	SIDE PANEL L		H,I,J,K
	64	BIG31NB50AL05B	SIDE PANEL L		L,M
	64	BIG31NB52AL05B	SIDE PANEL L		P
	65	BI300N00594000	SPEAKER COVER L		
	66	BI300N00606000	LEFT UP BOTTON		A,B,C,D,E,F,G,L,M,N,O
	66	BI300N00606100	LEFT UP BOTTON		H,I,J,K
	66	BI300N00606101	LEFT UP BOTTON		P
	67	BI300N00651000	POWER LENS		
	68	BI300N00604000	LEFT DOWN BUTTON		A,B,C,D,E,F,G,L,M,N,O
	68	BI300N00604100	LEFT DOWN BUTTON		H,I,J,K
	68	BI300N00604101	LEFT DOWN BUTTON		P
	69	BI300N00691000	JVC BADGE		
	70	BI300N00657000	USB COVER		A,B,C,D,E,F,G,L,M,N,O
	70	BI300N00657100	USB COVER		H,I,J,K,P
	71	BI300N00583000	DISPLAY WINDOW		A,B,C,D,E,F,G,L,M,N,O
	71	BI300N00583100	DISPLAY WINDOW		H,I,J,K,P
	72	BI377W20060BTN	SCREW	2x6mm(x2)	
	73	BI300N00655000	LOCK LEVER		
	74	BI2036930101X1	DOOR SPRING L		
	75	BI2036880101X1	LOCK LEVER SPRING		A,B,C,D,E,F,G,N,O
	75	BI2036880102X1	LOCK LEVER SPRING		H,I,J,K,L,M,P
	76	BI372B30100NTN	SCREW	3x10mm(x4)	A,B,C,D,E,F,G,N,O
	76	BI372B30080BTD	SCREW	3x8mm(x4)	H,I,J,K
	76	BI372B30080BTD	SCREW	3x8mm(x8)	L,M,P
	77	BI200010046501	SUBWOOFER	(x2)	
△	78	BI251011026000	CD MECHANISM	DA11VFGP	
	79	BIAN01571X	FM ROD ANTENNA	4 SectionTotal=680+/-5mm	
	80	BI155S14130NM2	FF-CABLE	14P 130mm	
	81	BI1205181Y	FF-CABLE	16P 95mm	
△	82	BI215131007001	SWITCHING POWER	AC:100-240V 50/60Hz DC:14V/4A	
	83	BI152040440NM6	WIRE	4P A=400mm B=440mm(x2)	
	84	BI200010045301	SPEAKER	(x2)	



# Electrical parts list

## Main board

Block No. [0][1]				
△ Symbol No.	Part No.	Part Name	Description	Local
IC001	BI100S14702000	IC	SI4702-C19-GM	
IC002	BI118801V	IC	NJM4580M	
IC101	BI100TDA726000	IC	TDA7266SA	
IC102	BI100LV4915000	IC	LV49152V	
IC104	BI118801V	IC	NJM4580M	
IC105	BI118801V	IC	NJM4580M	
IC106	BI118801V	IC	NJM4580M	
IC107	BI118801V	IC	NJM4580M	
IC201	BI100MP1482000	IC	MP1482	
IC202	BI100BA4510000	IC	BA4510FV	
IC203	BI126361V	IC	BD3490FV	
IC301	BI100HT7533000	IC	HT7533-1	
IC302	BI100T5CL80Y0X	IC	T5CL8	
IC303	BI126421V	IC	BD4827G-TR	
IC304	BI111731X	IC	AT24C02	
IC701	BI100TC94A9000	IC	TC94A92FG	
IC702	BI126401V	IC	BA5826HFP-E2	
IC703	BI100T5CJ3000X	IC	T5CJ3-7D13	
IC705	BI116761X	IC	BH15FB1WG-TR	
IC707	BI115441X	IC	SST39VF800A	
Q001	BI2SC3052FA013	TRANSISTOR	2SC3052	
Q002	BI2SC3052FA013	TRANSISTOR	2SC3052	
Q030	DTC323TK	TRANSISTOR	BI2DTC323TKA01	
Q031	DTC323TK	TRANSISTOR	BI2DTC323TKA01	
Q102	BI2SC3052FA013	TRANSISTOR	2SC3052	
Q103	BI2SC3052FA013	TRANSISTOR	2SC3052	
Q104	BI2SC3052FA013	TRANSISTOR	2SC3052	
Q105	BI2SD2394E7X	TRANSISTOR	2SD2394E	
Q106	BI2SA1235FA012	TRANSISTOR	2SA1235F	
Q107	BI2SC3052FA013	TRANSISTOR	2SC3052	
Q108	DTC114EKA	TRANSISTOR	BI2DTC114EKA01	
Q109	DTC114EKA	TRANSISTOR	BI2DTC114EKA01	
Q110	DTC114EKA	TRANSISTOR	BI2DTC114EKA01	
Q111	DTC114EKA	TRANSISTOR	BI2DTC114EKA01	
Q112	BI2SC3052FA013	TRANSISTOR	2SC3052	
Q201	BI2SA1235FA012	TRANSISTOR	2SA1235F	
Q203	BI2SC3052FA013	TRANSISTOR	2SC3052	
Q204	BI2KTA1273YP00	TRANSISTOR	KTA1273Y	
Q207	BI2KTA1273YP00	TRANSISTOR	KTA1273Y	
Q208	BI2SC3052FA013	TRANSISTOR	2SC3052	
Q301	BI2ME2306A019X	TRANSISTOR	ME2306	
Q303	BI2SC3052FA013	TRANSISTOR	2SC3052	
Q304	BI2SA1235FA012	TRANSISTOR	2SA1235F	
Q305	DTC114YK	TRANSISTOR	BI2DTC114YKA01	
Q306	BI2SA1235FA012	TRANSISTOR	2SA1235F	
Q307	BI2SA1235FA012	TRANSISTOR	2SA1235F	
Q308	BI2SA1235FA012	TRANSISTOR	2SA1235F	
Q310	BI2SA1235FA012	TRANSISTOR	2SA1235F	
Q312	BI2SC3052FA013	TRANSISTOR	2SC3052	
Q313	DTA114YK	TRANSISTOR	BI2DTA114YKA01	
Q314	DTC114YK	TRANSISTOR	BI2DTC114YKA01	
Q315	DTA114YK	TRANSISTOR	BI2DTA114YKA01	
Q701	BI2SA1576ATA00	TRANSISTOR	2SA1576AT106	
Q702	BI2KTC3203YP00	TRANSISTOR	KTC3203Y	
Q703	BI2SA1235FA012	TRANSISTOR	2SA1235F	
Q704	BI2SC3052FA013	TRANSISTOR	2SC3052	
Q705	BI2SC3052FA013	TRANSISTOR	2SC3052	
D001	BI3UZ39BSBM000	Z DIODE	UZ3.9BSB	
D101	BI3MTZJ47BM000	Z DIODE	4.7B	
D102	BI31SS355A000X	DIODE	L1SS355T1G	
D103	BI31SS355A000X	DIODE	L1SS355T1G	
D104	BI31SS355A000X	DIODE	L1SS355T1G	
D105	BI31SS355A000X	DIODE	L1SS355T1G	
D106	BI31SS355A000X	DIODE	L1SS355T1G	
D107	BI31SS355A000X	DIODE	L1SS355T1G	
D109	BI31SS355A000X	DIODE	L1SS355T1G	
D110	BI3MTZJ10BM000	Z DIODE	10B	
D201	BI3RB081L20A02	DIODE	RB081L-20	
D202	BI31SS355A000X	DIODE	L1SS355T1G	
D205	BI31SS355A000X	DIODE	L1SS355T1G	

△ Symbol No.	Part No.	Part Name	Description	Local
D209	BI31SS355A000X	DIODE	L1SS355T1G	
D210	BI31SS355A000X	DIODE	L1SS355T1G	
D301	BI31SS355A000X	DIODE	L1SS355T1G	
D302	BI31SS355A000X	DIODE	L1SS355T1G	
D303	RB160M-30	DIODE	BI3RB160MA003X	
D305	BI31SS355A000X	DIODE	L1SS355T1G	
D307	BI31SS355A000X	DIODE	L1SS355T1G	
D313	BI31SS355A000X	DIODE	L1SS355T1G	
D314	BI31SS355A000X	DIODE	L1SS355T1G	
D315	BI31SS355A000X	DIODE	L1SS355T1G	
D316	BI31SS355A000X	DIODE	L1SS355T1G	
D317	RB160M-30	DIODE	BI3RB160MA003X	
D318	RB160M-30	DIODE	BI3RB160MA003X	
D319	BI31SS355A000X	DIODE	L1SS355T1G	
D431	BI3ESDA05A005X	SCHOTTKY DIODE	0603ESDA-05	
D432	BI3ESDA05A005X	SCHOTTKY DIODE	0603ESDA-05	
D433	BI3ESDA05A005X	SCHOTTKY DIODE	0603ESDA-05	
D434	BI3ESDA05A005X	SCHOTTKY DIODE	0603ESDA-05	
D701	BI31SS355A000X	DIODE	L1SS355T1G	
D702	BI3UZ39BSBM000	Z DIODE	UZ3.9BSB	
C1	BICC102500KA04	C CAPACITOR	1000pF 50V	
C2	BICC102500KA04	C CAPACITOR	1000pF 50V	
C6	BICC104500KA04	C CAPACITOR	0.1uF 50V	
C10	BICC102500KA04	C CAPACITOR	1000pF 50V	
C001	BICC104500KA04	C CAPACITOR	0.1uF 50V	
C002	BICC106063MA04	C CAPACITOR	10uF 6.3V	
C003	BICC106063MA04	C CAPACITOR	10uF 6.3V	
C004	BICC470500JA04	C CAPACITOR	47pF 50V	
C005	BICC470500JA04	C CAPACITOR	47pF 50V	
C006	BICC470500JA04	C CAPACITOR	47pF 50V	
C007	BICC470500JA04	C CAPACITOR	47pF 50V	
C008	BICC470500JA04	C CAPACITOR	47pF 50V	
C009	BICC470500JA04	C CAPACITOR	47pF 50V	
C010	BICC220500JA04	C CAPACITOR	22pF 50V	
C011	BICC106100ZA02	C CAPACITOR	10uF	
C012	BICC470500JA04	C CAPACITOR	47pF 50V	
C013	BICC470500JA04	C CAPACITOR	47pF 50V	
C014	BICC470500JA04	C CAPACITOR	47pF 50V	
C015	BICC470500JA04	C CAPACITOR	47pF 50V	
C016	BICC220500JA04	C CAPACITOR	22pF 50V	
C017	BICC102500KA04	C CAPACITOR	1000pF 50V	
C018	BICC470500JA04	C CAPACITOR	47pF 50V	
C019	BICC470500JA04	C CAPACITOR	47pF 50V	
C020	BICC220500JA04	C CAPACITOR	22pF 50V	
C021	BICC102500KA04	C CAPACITOR	1000pF 50V	
C022	BICC220500JA04	C CAPACITOR	22pF 50V	
C023	BICC220500JA04	C CAPACITOR	22pF 50V	
C024	BICC220500JA04	C CAPACITOR	22pF 50V	
C025	BICC470500JA04	C CAPACITOR	47pF 50V	
C026	BICC470500JA04	C CAPACITOR	47pF 50V	
C027	BICE107160MP01	E CAPACITOR	100uF 16V	
C030	BICC105250ZA04	C CAPACITOR	1uF	
C031	BICC470500JA04	C CAPACITOR	47pF 50V	
C032	BICC106100ZA02	C CAPACITOR	10uF	
C033	BICC105250ZA04	C CAPACITOR	1uF	
C034	BICC470500JA04	C CAPACITOR	47pF 50V	
C035	BICC106100ZA02	C CAPACITOR	10uF	
C036	BICC820500JA04	C CAPACITOR	820pF	
C037	BICC820500JA04	C CAPACITOR	820pF	
C038	BICC470500JA04	C CAPACITOR	47pF 50V	
C039	BICC475100ZA02	C CAPACITOR	4.7uF 10V	
C040	BICC470500JA04	C CAPACITOR	47pF 50V	
C041	BICC475100ZA02	C CAPACITOR	4.7uF 10V	
C042	BICC470500JA04	C CAPACITOR	47pF 50V	
C043	BICC470500JA04	C CAPACITOR	47pF 50V	
C044	BICE107160MP01	E CAPACITOR	100uF 16V	
C045	BICE107160MP01	E CAPACITOR	100uF 16V	
C046	BICC104500KA04	C CAPACITOR	0.1uF 50V	
C047	BICC104500KA04	C CAPACITOR	0.1uF 50V	
C048	BICC470500JA04	C CAPACITOR	47pF 50V	
C049	BICC470500JA04	C CAPACITOR	47pF 50V	
C050	BICC470500JA04	C CAPACITOR	47pF 50V	
C051	BICC470500JA04	C CAPACITOR	47pF 50V	
C055	BICC470500JA04	C CAPACITOR	47pF 50V	
C056	BICC470500JA04	C CAPACITOR	47pF 50V	

△ Symbol No.	Part No.	Part Name	Description	Local	△ Symbol No.	Part No.	Part Name	Description	Local
C100	BICC470500JA04	C CAPACITOR	47pF 50V		C180	BICC102500KA04	C CAPACITOR	1000pF 50V	
C101	BICC470500JA04	C CAPACITOR	47pF 50V		C181	BICC102500KA04	C CAPACITOR	1000pF 50V	
C102	BICC470500JA04	C CAPACITOR	47pF 50V		C182	BICE47825M6Y4	E CAPACITOR	4700uF 25V	
C103	BICC470500JA04	C CAPACITOR	47pF 50V		C183	BICE227160MP01	E CAPACITOR	220uF 16V	
C104	BICC470500JA04	C CAPACITOR	47pF 50V		C184	BICC104500KA04	C CAPACITOR	0.1uF 50V	
C105	BICC470500JA04	C CAPACITOR	47pF 50V		C185	BICC104500KA04	C CAPACITOR	0.1uF 50V	
C106	BICC470500JA04	C CAPACITOR	47pF 50V		C186	BICE227160MP01	E CAPACITOR	220uF 16V	
C107	BICC105250ZA04	C CAPACITOR	1uF		C187	BICC470500JA04	C CAPACITOR	47pF 50V	
C108	BICC105250ZA04	C CAPACITOR	1uF		C188	BICC470500JA04	C CAPACITOR	47pF 50V	
C109	BICC561500KA04	C CAPACITOR	560pF		C189	BICC470500JA04	C CAPACITOR	47pF 50V	
C110	BICC561500KA04	C CAPACITOR	560pF		C190	BICC470500JA04	C CAPACITOR	47pF 50V	
C111	BICC470500JA04	C CAPACITOR	47pF 50V		C191	BICC470500JA04	C CAPACITOR	47pF 50V	
C112	BICC470500JA04	C CAPACITOR	47pF 50V		C192	BICE477250MP11	E CAPACITOR	470uF 25V	
C113	BICC106100ZA02	C CAPACITOR	10uF		C193	BICC470500JA04	C CAPACITOR	47pF 50V	
C114	BICC106100ZA02	C CAPACITOR	10uF		C194	BICC470500JA04	C CAPACITOR	47pF 50V	
C115	BICC470500JA04	C CAPACITOR	47pF 50V		C195	BICC470500JA04	C CAPACITOR	47pF 50V	
C116	BICC104250ZA04	C CAPACITOR	0.1uF 25V		C196	BICC470500JA04	C CAPACITOR	47pF 50V	
C117	BICC470500JA04	C CAPACITOR	47pF 50V		C197	BICC470500JA04	C CAPACITOR	47pF 50V	
C118	BICC104250ZA04	C CAPACITOR	0.1uF 25V		C199	BICC470500JA04	C CAPACITOR	47pF 50V	
C119	BICE477250MP11	E CAPACITOR	470uF 25V		C201	BICE476350MP61	E CAPACITOR	47uF 35V	
C120	BICC105250ZA04	C CAPACITOR	1uF		C202	BICC104500KA04	C CAPACITOR	0.1uF 50V	
C121	BICC470500JA04	C CAPACITOR	47pF 50V		C203	BICC103500KA04	C CAPACITOR	0.01uF 50V	
C122	BICC475100ZA02	C CAPACITOR	4.7uF 10V		C204	BICC104500KA04	C CAPACITOR	0.1uF 50V	
C123	BICC106100ZA02	C CAPACITOR	10uF		C205	BICC222500KA04	C CAPACITOR	2200pF	
C124	BICC470500JA04	C CAPACITOR	47pF 50V		C206	BICC222500KA04	C CAPACITOR	2200pF	
C127	BICC475100ZA02	C CAPACITOR	4.7uF 10V		C207	BICE477100MP61	E CAPACITOR	470uF 10V	
C128	BICC224160ZA04	C CAPACITOR	0.22uF		C208	BICC104500KA04	C CAPACITOR	0.1uF 50V	
C129	BICC470500JA04	C CAPACITOR	47pF 50V		C209	BICC102500KA04	C CAPACITOR	1000pF 50V	
C130	BICC106100ZA02	C CAPACITOR	10uF		C210	BICC105250ZA04	C CAPACITOR	1uF	
C131	BICC103500KA04	C CAPACITOR	0.01uF 50V		C211	BICC105250ZA04	C CAPACITOR	1uF	
C132	BICC153500KA04	C CAPACITOR	0.015uF		C212	BICC105250ZA04	C CAPACITOR	1uF	
C133	BICC475100ZA02	C CAPACITOR	4.7uF 10V		C213	BICC102500KA04	C CAPACITOR	1000pF 50V	
C134	BICC475100ZA02	C CAPACITOR	4.7uF 10V		C214	BICC105250ZA04	C CAPACITOR	1uF	
C135	BICC106100ZA02	C CAPACITOR	10uF		C215	BICC470500JA04	C CAPACITOR	47pF 50V	
C136	BICC470500JA04	C CAPACITOR	47pF 50V		C216	BICC470500JA04	C CAPACITOR	47pF 50V	
C137	BICE475500MP01	E CAPACITOR	4.7uF 50V		C217	BICC470500JA04	C CAPACITOR	47pF 50V	
C138	BICC475100ZA02	C CAPACITOR	4.7uF 10V		C218	BICC470500JA04	C CAPACITOR	47pF 50V	
C139	BICC475100KA04	C CAPACITOR	4.7uF		C219	BICC470500JA04	C CAPACITOR	47pF 50V	
C140	BICC104500KA04	C CAPACITOR	0.1uF 50V		C220	BICC470500JA04	C CAPACITOR	47pF 50V	
C141	BICC106100ZA02	C CAPACITOR	10uF		C221	BICC106100ZA02	C CAPACITOR	10uF	
C142	BICC470500JA04	C CAPACITOR	47pF 50V		C222	BICC475100ZA02	C CAPACITOR	4.7uF 10V	
C143	BICC104500KA04	C CAPACITOR	0.1uF 50V		C223	BICC470500JA04	C CAPACITOR	47pF 50V	
C144	BICC104500KA04	C CAPACITOR	0.1uF 50V		C224	BICC470500JA04	C CAPACITOR	47pF 50V	
C145	BICC106100ZA02	C CAPACITOR	10uF		C225	BICC470500JA04	C CAPACITOR	47pF 50V	
C146	BICC183500KA04	C CAPACITOR	0.018uF		C226	BICC470500JA04	C CAPACITOR	47pF 50V	
C147	BICC105250ZA04	C CAPACITOR	1uF		C227	BICC470500JA04	C CAPACITOR	47pF 50V	
C148	BICC470500JA04	C CAPACITOR	47pF 50V		C228	BICC470500JA04	C CAPACITOR	47pF 50V	
C149	BICC470500JA04	C CAPACITOR	47pF 50V		C229	BICC470500JA04	C CAPACITOR	47pF 50V	
C150	BICC105250ZA04	C CAPACITOR	1uF		C230	BICC470500JA04	C CAPACITOR	47pF 50V	
C151	BICC105250ZA04	C CAPACITOR	1uF		C233	BICC470500JA04	C CAPACITOR	47pF 50V	
C152	BICC105250ZA04	C CAPACITOR	1uF		C234	BICC470500JA04	C CAPACITOR	47pF 50V	
C153	BICC105250ZA04	C CAPACITOR	1uF		C235	BICC470500JA04	C CAPACITOR	47pF 50V	
C154	BICC105250ZA04	C CAPACITOR	1uF		C236	BICC470500JA04	C CAPACITOR	47pF 50V	
C155	BICC105250ZA04	C CAPACITOR	1uF		C237	BICC470500JA04	C CAPACITOR	47pF 50V	
C156	BICC105250ZA04	C CAPACITOR	1uF		C238	BICC470500JA04	C CAPACITOR	47pF 50V	
C157	BICC105250ZA04	C CAPACITOR	1uF		C239	BICC470500JA04	C CAPACITOR	47pF 50V	
C158	BICC105250ZA04	C CAPACITOR	1uF		C240	BICC470500JA04	C CAPACITOR	47pF 50V	
C159	BICC104500KA04	C CAPACITOR	0.1uF 50V		C243	BICC470500JA04	C CAPACITOR	47pF 50V	
C160	BICC104500KA04	C CAPACITOR	0.1uF 50V		C244	BICC470500JA04	C CAPACITOR	47pF 50V	
C161	BICC105250ZA04	C CAPACITOR	1uF		C245	BICC225160KA04	C CAPACITOR	2.2uF	
C162	BICC104500KA04	C CAPACITOR	0.1uF 50V		C246	BICC225160KA04	C CAPACITOR	2.2uF	
C163	BICC334160ZA04	C CAPACITOR	0.33uF		C247	BICC470500JA04	C CAPACITOR	47pF 50V	
C164	BICC105250ZA04	C CAPACITOR	1uF		C248	BICC470500JA04	C CAPACITOR	47pF 50V	
C165	BICC334160ZA04	C CAPACITOR	0.33uF		C249	BICC225160KA04	C CAPACITOR	2.2uF	
C166	BICC104500KA04	C CAPACITOR	0.1uF 50V		C250	BICC225160KA04	C CAPACITOR	2.2uF	
C167	BICC104500KA04	C CAPACITOR	0.1uF 50V		C251	BICC225160KA04	C CAPACITOR	2.2uF	
C168	BICC105250ZA04	C CAPACITOR	1uF		C252	BICC225160KA04	C CAPACITOR	2.2uF	
C169	BICC334160ZA04	C CAPACITOR	0.33uF		C253	BICC225160KA04	C CAPACITOR	2.2uF	
C170	BICC334160ZA04	C CAPACITOR	0.33uF		C254	BICC225160KA04	C CAPACITOR	2.2uF	
C171	BICC105250ZA04	C CAPACITOR	1uF		C255	BICC332500KA04	C CAPACITOR	3300pF	
C172	BICC104500KA04	C CAPACITOR	0.1uF 50V		C256	BICC332500KA04	C CAPACITOR	3300pF	
C173	BICE477250MP11	E CAPACITOR	470uF 25V		C257	BICC475100ZA02	C CAPACITOR	4.7uF 10V	
C174	BICC470500JA04	C CAPACITOR	47pF 50V		C258	BICC475100ZA02	C CAPACITOR	4.7uF 10V	
C175	BICC470500JA04	C CAPACITOR	47pF 50V		C259	BICC470500JA04	C CAPACITOR	47pF 50V	
C176	BICC470500JA04	C CAPACITOR	47pF 50V		C260	BICC470500JA04	C CAPACITOR	47pF 50V	
C177	BICC470500JA04	C CAPACITOR	47pF 50V		C261	BICC475100ZA02	C CAPACITOR	4.7uF 10V	
C178	BICC102500KA04	C CAPACITOR	1000pF 50V		C262	BICC470500JA04	C CAPACITOR	47pF 50V	
C179	BICC102500KA04	C CAPACITOR	1000pF 50V		C263	BICC225160KA04	C CAPACITOR	2.2uF	

△ Symbol No.	Part No.	Part Name	Description	Local	△ Symbol No.	Part No.	Part Name	Description	Local
C264	BICC472500KA04	C CAPACITOR	4700pF 50V		C722	BICE107100MP01	E CAPACITOR	100uF 10V	
C265	BICC225160KA04	C CAPACITOR	2.2uF		C723	BICC104500KA04	C CAPACITOR	0.1uF 50V	
C266	BICC470500JA04	C CAPACITOR	47pF 50V		C724	BICC104250ZA04	C CAPACITOR	0.1uF 25V	
C267	BICC470500JA04	C CAPACITOR	47pF 50V		C725	BICC106063MA04	C CAPACITOR	10uF 6.3V	
C268	BICC470500JA04	C CAPACITOR	47pF 50V		C728	BICC104250ZA04	C CAPACITOR	0.1uF 25V	
C269	BICC470500JA04	C CAPACITOR	47pF 50V		C729	BICC475100ZA02	C CAPACITOR	4.7uF 10V	
C270	BICC470500JA04	C CAPACITOR	47pF 50V		C730	BICE107100MP01	E CAPACITOR	100uF 10V	
C271	BICC470500JA04	C CAPACITOR	47pF 50V		C731	BICC104500KA04	C CAPACITOR	0.1uF 50V	
C272	BICC470500JA04	C CAPACITOR	47pF 50V		C732	BICE107100MP01	E CAPACITOR	100uF 10V	
C273	BICC470500JA04	C CAPACITOR	47pF 50V		C733	BICC104500KA04	C CAPACITOR	0.1uF 50V	
C274	BICC470500JA04	C CAPACITOR	47pF 50V		C734	BICC681500KA04	C CAPACITOR	680pF	
C275	BICC102500KA04	C CAPACITOR	1000pF 50V		C735	BICC681500KA04	C CAPACITOR	680pF	
C276	BICC102500KA04	C CAPACITOR	1000pF 50V		C736	BICC475100ZA02	C CAPACITOR	4.7uF 10V	
C277	BICC470500JA04	C CAPACITOR	47pF 50V		C737	BICC562500KA04	C CAPACITOR	5600pF	
C278	BICC225160KA04	C CAPACITOR	2.2uF		C738	BICC104500KA04	C CAPACITOR	0.1uF 50V	
C279	BICC225160KA04	C CAPACITOR	2.2uF		C739	BICE476100MP01	E CAPACITOR	47uF 10V	
C280	BICC224063KA04	C CAPACITOR	220nF		C740	BICC104500KA04	C CAPACITOR	0.1uF 50V	
C281	BICC224063KA04	C CAPACITOR	220nF		C741	BICC106063MA04	C CAPACITOR	10uF 6.3V	
C282	BICC224063KA04	C CAPACITOR	220nF		C742	BICC333500KA04	C CAPACITOR	0.033uF	
C283	BICC224063KA04	C CAPACITOR	220nF		C743	BICC473500KA04	C CAPACITOR	0.047uF	
C284	BICC103500KA04	C CAPACITOR	0.01uF 50V		C744	BICC473500KA04	C CAPACITOR	0.047uF	
C285	BICC470500JA04	C CAPACITOR	47pF 50V		C745	BICC471500KA04	C CAPACITOR	470pF	
C288	BICC105250ZA04	C CAPACITOR	1uF		C746	BICC471500KA04	C CAPACITOR	470pF	
C289	BICC105250ZA04	C CAPACITOR	1uF		C747	BICE108100MP01	E CAPACITOR	1000uF 10V	
C290	BICC102500KA04	C CAPACITOR	1000pF 50V		C748	BICC104500KA04	C CAPACITOR	0.1uF 50V	
C292	BICC470500JA04	C CAPACITOR	47pF 50V		C749	BICC222500KA04	C CAPACITOR	2200pF	
C293	BICC470500JA04	C CAPACITOR	47pF 50V		C750	BICC222500KA04	C CAPACITOR	2200pF	
C294	BICC102500KA04	C CAPACITOR	1000pF 50V		C751	BICC104500KA04	C CAPACITOR	0.1uF 50V	
C295	BICC103500KA04	C CAPACITOR	0.01uF 50V		C752	BICC104500KA04	C CAPACITOR	0.1uF 50V	
C296	BICC102500KA04	C CAPACITOR	1000pF 50V		C754	BICE477100MP01	E CAPACITOR	470uF 10V	
C297	BICC561500KA04	C CAPACITOR	560pF		C755	BICC106063MA04	C CAPACITOR	10uF 6.3V	
C298	BICC561500KA04	C CAPACITOR	560pF		C756	BICC104500KA04	C CAPACITOR	0.1uF 50V	
C301	BICE22A055ZYF	E CAPACITOR	0.22F 5.5V		C757	BICC104500KA04	C CAPACITOR	0.1uF 50V	
C302	BICE107100MP01	E CAPACITOR	100uF 10V		C758	BICE477100MP01	E CAPACITOR	470uF 10V	
C303	BICC104500KA04	C CAPACITOR	0.1uF 50V		C759	BICE477100MP01	E CAPACITOR	470uF 10V	
C304	BICC104500KA04	C CAPACITOR	0.1uF 50V		C760	BICE477100MP01	E CAPACITOR	470uF 10V	
C307	BICC104250ZA04	C CAPACITOR	0.1uF 25V		C761	BICC104500KA04	C CAPACITOR	0.1uF 50V	
C308	BICC104500KA04	C CAPACITOR	0.1uF 50V		C762	BICE477100MP01	E CAPACITOR	470uF 10V	
C309	BICC106063MA04	C CAPACITOR	10uF 6.3V		C763	BICC220500JA04	C CAPACITOR	22pF 50V	
C310	BICC220500JA04	C CAPACITOR	22pF 50V		C764	BICC220500JA04	C CAPACITOR	22pF 50V	
C311	BICC200500JA04	C CAPACITOR	20pF 50V		C765	BICC104500KA04	C CAPACITOR	0.1uF 50V	
C312	BICC220500JA04	C CAPACITOR	22pF 50V		C766	BICE107100MP01	E CAPACITOR	100uF 10V	
C313	BICC220500JA04	C CAPACITOR	22pF 50V		C767	BICE107100MP01	E CAPACITOR	100uF 10V	
C314	BICC104250ZA04	C CAPACITOR	0.1uF 25V		C768	BICC104500KA04	C CAPACITOR	0.1uF 50V	
C320	BICC106063MA04	C CAPACITOR	10uF 6.3V		C769	BICE107100MP01	E CAPACITOR	100uF 10V	
C321	BICC104500KA04	C CAPACITOR	0.1uF 50V		C770	BICC104500KA04	C CAPACITOR	0.1uF 50V	
C322	BICC102500KA04	C CAPACITOR	1000pF 50V		C771	BICC104500KA04	C CAPACITOR	0.1uF 50V	
C323	BICC470500JA04	C CAPACITOR	47pF 50V		C772	BICC104500KA04	C CAPACITOR	0.1uF 50V	
C324	BICC101500JA04	C CAPACITOR	100pF 50V		C773	BICC106063MA04	C CAPACITOR	10uF 6.3V	
C325	BICC101500JA04	C CAPACITOR	100pF 50V		C774	BICC104500KA04	C CAPACITOR	0.1uF 50V	
C330	BICC103500KA04	C CAPACITOR	0.01uF 50V		C775	BICC104500KA04	C CAPACITOR	0.1uF 50V	
C331	BICC104500KA04	C CAPACITOR	0.1uF 50V		C776	BICC106063MA04	C CAPACITOR	10uF 6.3V	
C332	BICC102500KA04	C CAPACITOR	1000pF 50V		C777	BICC104500KA04	C CAPACITOR	0.1uF 50V	
C356	BICC105063KA04	C CAPACITOR	1uF		C778	BICC106063MA04	C CAPACITOR	10uF 6.3V	
C431	BICC470500JA04	C CAPACITOR	47pF 50V		C779	BICC106063MA04	C CAPACITOR	10uF 6.3V	
C432	BICC101500JA04	C CAPACITOR	100pF 50V		C780	BICC106063MA04	C CAPACITOR	10uF 6.3V	
C433	BICC106063MA04	C CAPACITOR	10uF 6.3V		C781	BICC104500KA04	C CAPACITOR	0.1uF 50V	
C434	BICC470500JA04	C CAPACITOR	47pF 50V		C782	BICE107100MP01	E CAPACITOR	100uF 10V	
C701	BICC104500KA04	C CAPACITOR	0.1uF 50V		C783	BICC104500KA04	C CAPACITOR	0.1uF 50V	
C702	BICC104500KA04	C CAPACITOR	0.1uF 50V		C784	BICC104500KA04	C CAPACITOR	0.1uF 50V	
C703	BICE107100MP01	E CAPACITOR	100uF 10V		C785	BICC106063MA04	C CAPACITOR	10uF 6.3V	
C704	BICE107100MP01	E CAPACITOR	100uF 10V		C788	BICC104500KA04	C CAPACITOR	0.1uF 50V	
C705	BICC104500KA04	C CAPACITOR	0.1uF 50V		C791	BICC104500KA04	C CAPACITOR	0.1uF 50V	
C706	BICC104500KA04	C CAPACITOR	0.1uF 50V						
C707	BICC222500KA04	C CAPACITOR	2200pF		R001	BIRC0000105A00	C RESISTOR	0Ω 1/10W	
C708	BICC103500KA04	C CAPACITOR	0.01uF 50V		R003	BIRC1520105A00	C RESISTOR	1.5KΩ 1/10W	
C709	BICC472500KA04	C CAPACITOR	4700pF 50V		R004	BIRC1030165A00	C RESISTOR	10KΩ 1/16W	
C710	BICC104500KA04	C CAPACITOR	0.1uF 50V		R005	BIRC1030165A00	C RESISTOR	10KΩ 1/16W	
C711	BICC153500KA04	C CAPACITOR	0.015uF		R007	BIRC1020105A00	C RESISTOR	1KΩ 1/10W	
C713	BICC104500KA04	C CAPACITOR	0.1uF 50V		R008	BIRC1020105A00	C RESISTOR	1KΩ 1/10W	
C714	BICC104500KA04	C CAPACITOR	0.1uF 50V		R009	BIRC2200161A00	C RESISTOR	22Ω	
C715	BICC103500KA04	C CAPACITOR	0.01uF 50V		R010	BIRC1030045A00	C RESISTOR	10K	
C716	BICC104500KA04	C CAPACITOR	0.1uF 50V		R011	BIRC1020105A00	C RESISTOR	1KΩ 1/10W	
C717	BICC470500JA04	C CAPACITOR	47pF 50V		R012	BIRC1020105A00	C RESISTOR	1KΩ 1/10W	
C718	BICC153500KA04	C CAPACITOR	0.015uF		R013	BIRC1020105A00	C RESISTOR	1KΩ 1/10W	
C719	BICC104500KA04	C CAPACITOR	0.1uF 50V		R014	BIRC1020105A00	C RESISTOR	1KΩ 1/10W	
C720	BICC106063MA04	C CAPACITOR	10uF 6.3V		R016	BIRC4720105A00	C RESISTOR	4.7KΩ 1/10W	
C721	BICC104500KA04	C CAPACITOR	0.1uF 50V		R030	BIRC2720165A00	C RESISTOR	3.3K	

△ Symbol No.	Part No.	Part Name	Description	Local	△ Symbol No.	Part No.	Part Name	Description	Local
R031	BIRC2720165A00	C RESISTOR	3.3K		R166	BIRC1030165A00	C RESISTOR	10KΩ 1/16W	
R032	BIRC1030165A00	C RESISTOR	10KΩ 1/16W		R167	BIRC1530105A00	C RESISTOR	15KΩ 1/10W	
R033	BIRC1030165A00	C RESISTOR	10KΩ 1/16W		R168	BIRC8210105A00	C RESISTOR	820Ω 1/10W	
R034	BIRC4720165A00	C RESISTOR	4.7KΩ 1/16W		R169	BIRC2240105A00	C RESISTOR	220K	
R035	BIRC1030165A00	C RESISTOR	10KΩ 1/16W		R187	BIRC1230105A00	C RESISTOR	12KΩ 1/10W	
R036	BIRC4720165A00	C RESISTOR	4.7KΩ 1/16W		R201	BIRC4730165A00	C RESISTOR	47KΩ 1/16W	
R037	BIRC1030165A00	C RESISTOR	10KΩ 1/16W		R202	BIRC1030101A00	C RESISTOR	10KΩ 1/10W	
R038	BIRC4730105A00	C RESISTOR	47KΩ 1/10W		R203	BIRC1030165A00	C RESISTOR	10KΩ 1/16W	
R039	BIRC4730105A00	C RESISTOR	47KΩ 1/10W		R204	BIRC4730101A00	C RESISTOR	47K	
R040	BIRC1000105A00	C RESISTOR	10Ω 1/10W		R205	BIRC4730165A00	C RESISTOR	47KΩ 1/16W	
R041	BIRC1000105A00	C RESISTOR	10Ω 1/10W		R206	BIRC1020165A00	C RESISTOR	1KΩ 1/16W	
R042	BIRC1020105A00	C RESISTOR	1KΩ 1/10W		R211	BIRC1020105A00	C RESISTOR	1KΩ 1/10W	
R043	BIRC1020105A00	C RESISTOR	1KΩ 1/10W		R212	BIRC1030105A00	C RESISTOR	10KΩ 1/10W	
R044	BIRC2030105A00	C RESISTOR	20K		R213	BIRC1030165A00	C RESISTOR	10KΩ 1/16W	
R101	BIRC1020165A00	C RESISTOR	1KΩ 1/16W		R214	BIRC1030105A00	C RESISTOR	10KΩ 1/10W	
R102	BIRC1020165A00	C RESISTOR	1KΩ 1/16W		R215	BIRC1030105A00	C RESISTOR	10KΩ 1/10W	
R103	BIRC1020165A00	C RESISTOR	1KΩ 1/16W		R216	BIRC1030105A00	C RESISTOR	10KΩ 1/10W	
R104	BIRC1020165A00	C RESISTOR	1KΩ 1/16W		R217	BIRC1030165A00	C RESISTOR	10KΩ 1/16W	
R105	BIRC4710165A00	C RESISTOR	470KΩ 1/16W		R218	BIRC1030105A00	C RESISTOR	10KΩ 1/10W	
R106	BIRC4710165A00	C RESISTOR	470KΩ 1/16W		R219	BIRC1030165A00	C RESISTOR	10KΩ 1/16W	
R107	BIRC1030105A00	C RESISTOR	10KΩ 1/10W		R220	BIRC1030165A00	C RESISTOR	10KΩ 1/16W	
R108	BIRC1030105A00	C RESISTOR	10KΩ 1/10W		R221	BIRC1030165A00	C RESISTOR	10KΩ 1/16W	
R109	BIRC1030105A00	C RESISTOR	10KΩ 1/10W		R222	BIRC1020165A00	C RESISTOR	1KΩ 1/16W	
R110	BIRC1030105A00	C RESISTOR	10KΩ 1/10W		R223	BIRC1030165A00	C RESISTOR	10KΩ 1/16W	
R111	BIRC1030105A00	C RESISTOR	10KΩ 1/10W		R224	BIRC1010105A00	C RESISTOR	100Ω 1/10W	
R112	BIRC1040165A00	C RESISTOR	100KΩ 1/16W		R225	BIRC4730165A00	C RESISTOR	47KΩ 1/16W	
R113	BIRC1040165A00	C RESISTOR	100KΩ 1/16W		R226	BIRC1030165A00	C RESISTOR	10KΩ 1/16W	
R114	BIRC4730165A00	C RESISTOR	47KΩ 1/16W		R227	BIRC1020165A00	C RESISTOR	1KΩ 1/16W	
R115	BIRC1010105A00	C RESISTOR	100Ω 1/10W		R228	BIRC1030165A00	C RESISTOR	10KΩ 1/16W	
R116	BIRC2240105A00	C RESISTOR	220K		R230	BIRC4730165A00	C RESISTOR	47KΩ 1/16W	
R118	BIRC0000105A00	C RESISTOR	0Ω 1/10W		R231	BIRC7510105A00	C RESISTOR	750Ω	
R119	BIRC3330105A00	C RESISTOR	33K		R232	BIRC7510105A00	C RESISTOR	750Ω	
R120	BIRC1040105A00	C RESISTOR	100KΩ 1/10W		R240	BIRC1020105A00	C RESISTOR	1KΩ 1/10W	
R121	BIRC1030105A00	C RESISTOR	10KΩ 1/10W		R241	BIRC1020105A00	C RESISTOR	1KΩ 1/10W	
R122	BIRC2730105A00	C RESISTOR	27KΩ 1/10W		R244	BIRC1020105A00	C RESISTOR	1KΩ 1/10W	
R123	BIRC1840105A00	C RESISTOR	180KΩ		R245	BIRC1020105A00	C RESISTOR	1KΩ 1/10W	
R124	BIRC1010105A00	C RESISTOR	100Ω 1/10W		R246	BIRC1020105A00	C RESISTOR	1KΩ 1/10W	
R125	BIRC1040105A00	C RESISTOR	100KΩ 1/10W		R247	BIRC1020105A00	C RESISTOR	1KΩ 1/10W	
R126	BIRC1040105A00	C RESISTOR	100KΩ 1/10W		R248	BIRC1020105A00	C RESISTOR	1KΩ 1/10W	
R127	BIRC1040105A00	C RESISTOR	100KΩ 1/10W		R249	BIRC1020105A00	C RESISTOR	1KΩ 1/10W	
R128	BIRC1040105A00	C RESISTOR	100KΩ 1/10W		R250	BIRC0000105A00	C RESISTOR	0Ω 1/10W	
R129	BIRC1020165A00	C RESISTOR	1KΩ 1/16W		R251	BIRC2230165A00	C RESISTOR	22KΩ 1/16W	
R130	BIRC1030165A00	C RESISTOR	10KΩ 1/16W		R252	BIRC0000105A00	C RESISTOR	0Ω 1/10W	
R131	BIRC1010105A00	C RESISTOR	100Ω 1/10W		R253	BIRC4720165A00	C RESISTOR	4.7KΩ 1/16W	
R132	BIRC3320105A00	C RESISTOR	3.3K		R254	BIRC4720165A00	C RESISTOR	4.7KΩ 1/16W	
R133	BIRC1530105A00	C RESISTOR	15KΩ 1/10W		R255	BIRC2230165A00	C RESISTOR	22KΩ 1/16W	
R134	BIRC1030165A00	C RESISTOR	10KΩ 1/16W		R256	BIRC2230165A00	C RESISTOR	22KΩ 1/16W	
R135	BIRC1840105A00	C RESISTOR	180KΩ		R257	BIRC3320165A00	C RESISTOR	3.3K	
R136	BIRC1020105A00	C RESISTOR	1KΩ 1/10W		R258	BIRC3320165A00	C RESISTOR	3.3K	
R137	BIRC5620105A00	C RESISTOR	5.6KΩ 1/10W		R260	BIRC1020105A00	C RESISTOR	1KΩ 1/10W	
R138	BIRC1020105A00	C RESISTOR	1KΩ 1/10W		R261	BIRC1020105A00	C RESISTOR	1KΩ 1/10W	
R139	BIRC1230105A00	C RESISTOR	12KΩ 1/10W		R265	BIRC6820165A00	C RESISTOR	6.8K	
R140	BIRC2240105A00	C RESISTOR	220K		R266	BIRC6820165A00	C RESISTOR	6.8K	
R141	BIRC5630105A00	C RESISTOR	56K		R267	BIRC6820165A00	C RESISTOR	6.8K	
R142	BIRC3330105A00	C RESISTOR	33K		R268	BIRC6820165A00	C RESISTOR	6.8K	
R143	BIRC2210105A00	C RESISTOR	220Ω 1/10W		R269	BIRC4750105A00	C RESISTOR	4.7M	
R144	BIRC2730105A00	C RESISTOR	27KΩ 1/10W		R278	BIRC4740165A00	C RESISTOR	470K	
R145	BIRC8230105A00	C RESISTOR	82K		R279	BIRC1030105A00	C RESISTOR	10KΩ 1/10W	
R146	BIRC1010105A00	C RESISTOR	100Ω 1/10W		R280	BIRC1030105A00	C RESISTOR	10KΩ 1/10W	
R147	BIRC2220105A00	C RESISTOR	2.2KΩ 1/10W		R281	BIRC1020105A00	C RESISTOR	1KΩ 1/10W	
R148	BIRC2430105A00	C RESISTOR	24K		R282	BIRC1030165A00	C RESISTOR	10KΩ 1/16W	
R149	BIRC2430105A00	C RESISTOR	24K		R284	BIRC1030165A00	C RESISTOR	10KΩ 1/16W	
R150	BIRC1230105A00	C RESISTOR	12KΩ 1/10W		R285	BIRC1040165A00	C RESISTOR	100KΩ 1/16W	
R151	BIRC1020165A00	C RESISTOR	1KΩ 1/16W		R286	BIRC1040165A00	C RESISTOR	100KΩ 1/16W	
R152	BIRC1820105A00	C RESISTOR	1.8KΩ 1/10W		R287	BIRC1530161A00	C RESISTOR	15K	
R153	BIRC1020165A00	C RESISTOR	1KΩ 1/16W		R288	BIRC1530161A00	C RESISTOR	15K	
R154	BIRC4720105A00	C RESISTOR	4.7KΩ 1/10W		R289	BIRC2240165A00	C RESISTOR	220K	
R155	BIRC1020165A00	C RESISTOR	1KΩ 1/16W		R290	BIRC1030165A00	C RESISTOR	10KΩ 1/16W	
R156	BIRC1530105A00	C RESISTOR	15KΩ 1/10W		R291	BIRC1030165A00	C RESISTOR	10KΩ 1/16W	
R157	BIRC1020105A00	C RESISTOR	1KΩ 1/10W		R292	BIRC1030165A00	C RESISTOR	10KΩ 1/16W	
R158	BIRC1020105A00	C RESISTOR	1KΩ 1/10W		R294	BIRC1030165A00	C RESISTOR	10KΩ 1/16W	
R159	BIRC1020105A00	C RESISTOR	1KΩ 1/10W		R295	BIRC1030165A00	C RESISTOR	10KΩ 1/16W	
R160	BIRC1020105A00	C RESISTOR	1KΩ 1/10W		R296	BIRC1030165A00	C RESISTOR	10KΩ 1/16W	
R161	BIRC1030105A00	C RESISTOR	10KΩ 1/10W		R298	BIRC1030105A00	C RESISTOR	10KΩ 1/10W	
R162	BIRC1030105A00	C RESISTOR	10KΩ 1/10W		R299	BIRC1030105A00	C RESISTOR	10KΩ 1/10W	
R163	BIRC1030105A00	C RESISTOR	10KΩ 1/10W		R300	BIRC1530161A00	C RESISTOR	15K	
R164	BIRC1020105A00	C RESISTOR	1KΩ 1/10W		R301	BIRC2210105A00	C RESISTOR	220Ω 1/10W	
R165	BIRC1030165A00	C RESISTOR	10KΩ 1/16W		R303	BIRC1030105A00	C RESISTOR	10KΩ 1/10W	

△ Symbol No.	Part No.	Part Name	Description	Local	△ Symbol No.	Part No.	Part Name	Description	Local
R304	BIRC1030105A00	C RESISTOR	10KΩ 1/10W		R398	BIRC4730165A00	C RESISTOR	47KΩ 1/16W	
R305	BIRC4730165A00	C RESISTOR	47KΩ 1/16W		R399	BIRC1020165A00	C RESISTOR	1KΩ 1/16W	
R306	BIRC1030165A00	C RESISTOR	10KΩ 1/16W		R432	BIRC2700105A00	C RESISTOR	27Ω	
R307	BIRC1030165A00	C RESISTOR	10KΩ 1/16W		R433	BIRC2700105A00	C RESISTOR	27Ω	
R308	BIRC4730165A00	C RESISTOR	47KΩ 1/16W		R701	BIRC0470105A00	C RESISTOR	4.7Ω	
R309	BIRC1030105A00	C RESISTOR	10KΩ 1/10W		R702	BIRC1040105A00	C RESISTOR	100KΩ 1/10W	
R310	BIRC1030105A00	C RESISTOR	10KΩ 1/10W		R703	BIRC0000105A00	C RESISTOR	0Ω 1/10W	
R311	BIRC1020105A00	C RESISTOR	1KΩ 1/10W		R704	BIRC2210105A00	C RESISTOR	220Ω 1/10W	
R312	BIRC1030165A00	C RESISTOR	10KΩ 1/16W		R705	BIRC4730105A00	C RESISTOR	47KΩ 1/10W	
R320	BIRC1030165A00	C RESISTOR	10KΩ 1/16W		R706	BIRC1530105A00	C RESISTOR	15KΩ 1/10W	
R322	BIRC1010165A00	C RESISTOR	100Ω 1/16W		R707	BIRC3340101A00	C RESISTOR	330K	
R323	BIRC1020165A00	C RESISTOR	1KΩ 1/16W		R708	BIRC1030105A00	C RESISTOR	10KΩ 1/10W	
R324	BIRC1020165A00	C RESISTOR	1KΩ 1/16W		R709	BIRC1030165A00	C RESISTOR	10KΩ 1/16W	
R325	BIRC1010165A00	C RESISTOR	100Ω 1/16W		R710	BIRC1010165A00	C RESISTOR	100Ω 1/16W	
R326	BIRC1010165A00	C RESISTOR	100Ω 1/16W		R711	BIRC1010165A00	C RESISTOR	100Ω 1/16W	
R327	BIRC1010165A00	C RESISTOR	100Ω 1/16W		R712	BIRC1030105A00	C RESISTOR	10KΩ 1/10W	
R328	BIRC1010165A00	C RESISTOR	100Ω 1/16W		R713	BIRC1030105A00	C RESISTOR	10KΩ 1/10W	
R329	BIRC1010165A00	C RESISTOR	100Ω 1/16W		R714	BIRC1030105A00	C RESISTOR	10KΩ 1/10W	
R330	BIRC1010165A00	C RESISTOR	100Ω 1/16W		R715	BIRC1810105A00	C RESISTOR	180Ω	
R331	BIRC1010165A00	C RESISTOR	100Ω 1/16W		R716	BIRC1030165A00	C RESISTOR	10KΩ 1/16W	
R332	BIRC1010165A00	C RESISTOR	100Ω 1/16W		R717	BIRC1010165A00	C RESISTOR	100Ω 1/16W	
R333	BIRC1010165A00	C RESISTOR	100Ω 1/16W		R718	BIRC1010105A00	C RESISTOR	100Ω 1/10W	
R334	BIRC1010165A00	C RESISTOR	100Ω 1/16W		R719	BIRC1010105A00	C RESISTOR	100Ω 1/10W	
R335	BIRC1020165A00	C RESISTOR	1KΩ 1/16W		R720	BIRC1030165A00	C RESISTOR	10KΩ 1/16W	
R336	BIRC1010165A00	C RESISTOR	100Ω 1/16W		R721	BIRC1030165A00	C RESISTOR	10KΩ 1/16W	
R338	BIRC1010165A00	C RESISTOR	100Ω 1/16W		R722	BIRC1030165A00	C RESISTOR	10KΩ 1/16W	
R339	BIRC1010165A00	C RESISTOR	100Ω 1/16W		R723	BIRC1030165A00	C RESISTOR	10KΩ 1/16W	
R340	BIRC1020165A00	C RESISTOR	1KΩ 1/16W		R724	BIRC1030165A00	C RESISTOR	10KΩ 1/16W	
R342	BIRC1010165A00	C RESISTOR	100Ω 1/16W		R725	BIRC1030165A00	C RESISTOR	10KΩ 1/16W	
R343	BIRC1010165A00	C RESISTOR	100Ω 1/16W		R732	BIRC1010165A00	C RESISTOR	100Ω 1/16W	
R345	BIRC0000165A00	C RESISTOR	0Ω 1/16W		R733	BIRC1010165A00	C RESISTOR	100Ω 1/16W	
R346	BIRC1030165A00	C RESISTOR	10KΩ 1/16W		R734	BIRC1050165A00	C RESISTOR	1MΩ 1/16W	
R348	BIRC1030165A00	C RESISTOR	10KΩ 1/16W		R735	BIRC2200105A00	C RESISTOR	22Ω 1/10W	
R349	BIRC1020165A00	C RESISTOR	1KΩ 1/16W		R736	BIRC2200105A00	C RESISTOR	22Ω 1/10W	
R350	BIRC1010165A00	C RESISTOR	100Ω 1/16W		R737	BIRC1030105A00	C RESISTOR	10KΩ 1/10W	
R351	BIRC1020165A00	C RESISTOR	1KΩ 1/16W		R738	BIRC1030105A00	C RESISTOR	10KΩ 1/10W	
R352	BIRC1020165A00	C RESISTOR	1KΩ 1/16W		R739	BIRC1030165A00	C RESISTOR	10KΩ 1/16W	
R353	BIRC1020165A00	C RESISTOR	1KΩ 1/16W		R740	BIRC1030165A00	C RESISTOR	10KΩ 1/16W	
R354	BIRC1020165A00	C RESISTOR	1KΩ 1/16W		R741	BIRC1030165A00	C RESISTOR	10KΩ 1/16W	
R355	BIRC1020165A00	C RESISTOR	1KΩ 1/16W		R742	BIRC1030165A00	C RESISTOR	10KΩ 1/16W	
R357	BIRC1020165A00	C RESISTOR	1KΩ 1/16W		R743	BIRC1030165A00	C RESISTOR	10KΩ 1/16W	
R358	BIRC4730105A00	C RESISTOR	47KΩ 1/10W		R744	BIRC1030165A00	C RESISTOR	10KΩ 1/16W	
R359	BIRC4730105A00	C RESISTOR	47KΩ 1/10W		R745	BIRC1030165A00	C RESISTOR	10KΩ 1/16W	
R360	BIRC4730165A00	C RESISTOR	47KΩ 1/16W		R746	BIRC0000105A00	C RESISTOR	0Ω 1/10W	
R361	BIRC4730165A00	C RESISTOR	47KΩ 1/16W		R747	BIRC0000105A00	C RESISTOR	0Ω 1/10W	
R362	BIRC4730165A00	C RESISTOR	47KΩ 1/16W		R748	BIRC0000105A00	C RESISTOR	0Ω 1/10W	
R363	BIRC1010165A00	C RESISTOR	100Ω 1/16W		R749	BIRC0000105A00	C RESISTOR	0Ω 1/10W	
R364	BIRC1010165A00	C RESISTOR	100Ω 1/16W		R750	BIRC2220105A00	C RESISTOR	2.2KΩ 1/10W	
R365	BIRC1010165A00	C RESISTOR	100Ω 1/16W		R751	BIRC222010A005	C RESISTOR	2.2K	
R366	BIRC1020165A00	C RESISTOR	1KΩ 1/16W		R752	BIRC2220105A00	C RESISTOR	2.2KΩ 1/10W	
R367	BIRC1020165A00	C RESISTOR	1KΩ 1/16W		R753	BIRC4730105A00	C RESISTOR	47KΩ 1/10W	
R368	BIRC1020165A00	C RESISTOR	1KΩ 1/16W		R754	BIRC2220105A00	C RESISTOR	2.2KΩ 1/10W	
R369	BIRC1020165A00	C RESISTOR	1KΩ 1/16W		R755	BIRC1030105A00	C RESISTOR	10KΩ 1/10W	
R370	BIRC1020165A00	C RESISTOR	1KΩ 1/16W		R756	BIRC1030165A00	C RESISTOR	10KΩ 1/16W	
R371	BIRC2220165A00	C RESISTOR	2.2KΩ 1/16W		R757	BIRC1010105A00	C RESISTOR	100Ω 1/10W	
R373	BIRC1200105A00	C RESISTOR	12Ω		R758	BIRC1010165A00	C RESISTOR	100Ω 1/16W	
R374	BIRC1020165A00	C RESISTOR	1KΩ 1/16W		R759	BIRC1010165A00	C RESISTOR	100Ω 1/16W	
R375	BIRC2220165A00	C RESISTOR	2.2KΩ 1/16W		R760	BIRC1010165A00	C RESISTOR	100Ω 1/16W	
R376	BIRC2220165A00	C RESISTOR	2.2KΩ 1/16W		R761	BIRC1010165A00	C RESISTOR	100Ω 1/16W	
R377	BIRC5620165A00	C RESISTOR	5.6KΩ 1/16W		R762	BIRC1010165A00	C RESISTOR	100Ω 1/16W	
R378	BIRC2220165A00	C RESISTOR	2.2KΩ 1/16W		R763	BIRC1030165A00	C RESISTOR	10KΩ 1/16W	
R379	BIRC4740165A00	C RESISTOR	470K		R764	BIRC1030165A00	C RESISTOR	10KΩ 1/16W	
R380	BIRC4740165A00	C RESISTOR	470K		R765	BIRC0000165A00	C RESISTOR	0Ω 1/16W	
R381	BIRC4730165A00	C RESISTOR	47KΩ 1/16W		R766	BIRC5610165A00	C RESISTOR	560Ω	
R382	BIRC3930165A00	C RESISTOR	37KΩ 1/16W		R767	BIRC5610165A00	C RESISTOR	560Ω	
R383	BIRC4730165A00	C RESISTOR	47KΩ 1/16W		R768	BIRC1030165A00	C RESISTOR	10KΩ 1/16W	
R384	BIRC1010165A00	C RESISTOR	100Ω 1/16W		R769	BIRC1030165A00	C RESISTOR	10KΩ 1/16W	
R385	BIRC4730165A00	C RESISTOR	47KΩ 1/16W		R771	BIRC1030165A00	C RESISTOR	10KΩ 1/16W	
R386	BIRC4730165A00	C RESISTOR	47KΩ 1/16W		R772	BIRC2210105A00	C RESISTOR	220Ω 1/10W	
R387	BIRC1030165A00	C RESISTOR	10KΩ 1/16W		R773	BIRC1050105A00	C RESISTOR	1M	
R388	BIRC1030165A00	C RESISTOR	10KΩ 1/16W		R774	BIRC1020105A00	C RESISTOR	1KΩ 1/10W	
R389	BIRC4730165A00	C RESISTOR	47KΩ 1/16W		R775	BIRC1020105A00	C RESISTOR	1KΩ 1/10W	
R390	BIRC1040165A00	C RESISTOR	100KΩ 1/16W		R776	BIRC1030105A00	C RESISTOR	10KΩ 1/10W	
R391	BIRC2230105A00	C RESISTOR	22KΩ 1/10W		R777	BIRC1030105A00	C RESISTOR	10KΩ 1/10W	
R392	BIRC4730165A00	C RESISTOR	47KΩ 1/16W		R778	BIRC1010165A00	C RESISTOR	100Ω 1/16W	
R393	BIRC1030165A00	C RESISTOR	10KΩ 1/16W		R779	BIRC0000105A00	C RESISTOR	0Ω 1/10W	
R394	BIRC2220165A00	C RESISTOR	2.2KΩ 1/16W		R780	BIRC0000105A00	C RESISTOR	0Ω 1/10W	
R397	BIRC1030165A00	C RESISTOR	10KΩ 1/16W		R781	BIRC1030165A00	C RESISTOR	10KΩ 1/16W	



△ Symbol No.	Part No.	Part Name	Description	Local	△ Symbol No.	Part No.	Part Name	Description	Local
R782	BIRC1020105A00	C RESISTOR	1KΩ 1/10W		RN713	BIRN1010165A40	C RESISTOR	100Ω	
R783	BIRC1030165A00	C RESISTOR	10KΩ 1/16W		X001	BI2103461X	CRYSTAL	32.768KHz	
R784	BIRC1030165A00	C RESISTOR	10KΩ 1/16W		X301	BI2103451X	CRYSTAL	8.000MH	
R785	BIRC1030165A00	C RESISTOR	10KΩ 1/16W		X302	BI2101012X	CRYSTAL	32.768KHz	
R786	BIRC1030165A00	C RESISTOR	10KΩ 1/16W		X701	BI2103501X	CRYSTAL	9.000MHz	
R788	BIRC1030165A00	C RESISTOR	10KΩ 1/16W		X702	BI29ZTT169P000	CERAMIC	16.93MHz	
R789	BIRC1520161A00	C RESISTOR	1.5K						
R792	BIRC1010165A00	C RESISTOR	100Ω 1/16W						
R793	BIRC1010165A00	C RESISTOR	100Ω 1/16W						
R794	BIRC1520161A00	C RESISTOR	1.5K						
R795	BIRC1230161A00	C RESISTOR	12K						
R798	BIRC1010165A00	C RESISTOR	100Ω 1/16W						
L001	BI18CBW1608A00	FERRITE BEAD	CBW160808U102T						
L002	BI2633C0002A00	C-INDUCTORS	33nH						
L003	BI2627B015KA01	C-INDUCTORS	0.27uH						
L030	BI18CBW1608A00	FERRITE BEAD	CBW160808U102T		IC401	BI100HM338S000	IC	HM338-S3	
L101	BI2601571X	INDUCTOR	22uH						
L102	BI2601571X	INDUCTOR	22uH		D401	BI281L034XVP01	RED LED	1L034XV31COTTT 03	
L103	BI2601571X	INDUCTOR	22uH		D440	BI31SS355A000X	DIODE	L1SS355T1G	
L104	BI2601571X	INDUCTOR	22uH		D441	BI31SS355A000X	DIODE	L1SS355T1G	
L105	BI26A00211V	CHOKE	R6H0610-2.0T		D601	BI36A11X	DIODE	6A1	
L201	BI2601571X	INDUCTOR	22uH		D602	1SS133	DIODE	BI31SS133M000V	
L202	BI18CBW1608A00	FERRITE BEAD	CBW160808U102T		D603	BI3RB081L20A02	DIODE	RB081L-20	
L203	BI18APZ1608A00	FERRITE BEAD	APZ1608						
L204	BI18APZ1608A00	FERRITE BEAD	APZ1608		C401	BICC104500KA04	C CAPACITOR	0.1uF 50V	
L205	BI18APZ1608A00	FERRITE BEAD	APZ1608		C402	BICC104500KA04	C CAPACITOR	0.1uF 50V	
L206	BI18APZ1608A00	FERRITE BEAD	APZ1608		C403	BICC104500KA04	C CAPACITOR	0.1uF 50V	
L301	BI18CBW1608A00	FERRITE BEAD	CBW160808U102T		C405	BICC103500KA04	C CAPACITOR	0.01uF 50V	
L430	BIRC0000105A00	C RESISTOR	0Ω 1/10W		C406	BICC103500KA04	C CAPACITOR	0.01uF 50V	
L431	BI18A601TRA002	FERRITE BEAD	A601TR		C407	BICC103500KA04	C CAPACITOR	0.01uF 50V	
L701	BI18CBW1608A00	FERRITE BEAD	CBW160808U102T		C408	BICC103500KA04	C CAPACITOR	0.01uF 50V	
L702	BI18CBW1608A00	FERRITE BEAD	CBW160808U102T		C410	BICC104500KA04	C CAPACITOR	0.1uF 50V	
L703	BI18CBW1608A00	FERRITE BEAD	CBW160808U102T		C411	BICC470500JA04	C CAPACITOR	47pF 50V	
L704	BI18CBW1608A00	FERRITE BEAD	CBW160808U102T		C412	BICC103500KA04	C CAPACITOR	0.01uF 50V	
L705	BI18CBW1608A00	FERRITE BEAD	CBW160808U102T		C413	BICC101500JA04	C CAPACITOR	100pF 50V	
L706	BI18CBW1608A00	FERRITE BEAD	CBW160808U102T		C414	BICC101500JA04	C CAPACITOR	100pF 50V	
L707	BI18CBW1608A00	FERRITE BEAD	CBW160808U102T		C440	BICC104500KA04	C CAPACITOR	0.1uF 50V	
L708	BI18CBW1608A00	FERRITE BEAD	CBW160808U102T		C441	BICC104500KA04	C CAPACITOR	0.1uF 50V	
L709	BI18CBW1608A00	FERRITE BEAD	CBW160808U102T						
L710	BI18CBW1608A00	FERRITE BEAD	CBW160808U102T		R401	BIRC1020105A00	C RESISTOR	1KΩ 1/10W	
L711	BI18CBW1608A00	FERRITE BEAD	CBW160808U102T		R402	BIRC2200105A00	C RESISTOR	22Ω 1/10W	
L712	BI18CBW1608A00	FERRITE BEAD	CBW160808U102T		R403	BIRC2020105A00	C RESISTOR	2KΩ 1/10W	
					R404	BIRC2220105A00	C RESISTOR	2.2KΩ 1/10W	
CC198	BICC470500JA04	C CAPACITOR	47pF 50V		R405	BIRC2720105A00	C RESISTOR	2.7K	
CN031	BI12S40026X	CONNECTOR	4P		R406	BIRC3920105A00	C RESISTOR	3.9K	
CN101	BI240V04250M01	CONNECTOR	4P		R407	BIRC6820105A00	C RESISTOR	6.8KΩ 1/10W	
CN102	BI240V04250M01	CONNECTOR	4P		R408	BIRC2020105A00	C RESISTOR	2KΩ 1/10W	
CN103	BI240V04250M01	CONNECTOR	4P		R409	BIRC2220105A00	C RESISTOR	2.2KΩ 1/10W	
CN201	BI12S40026X	CONNECTOR	4P		R410	BIRC2720105A00	C RESISTOR	2.7K	
CN202	BI12S140029X	CONNECTOR	14P		R411	BIRC3920105A00	C RESISTOR	3.9K	
CN301	BI12S50013X	CONNECTOR	5P		R413	BIRC2710105A00	C RESISTOR	27Ω	
CN302	BI12S60127X	CONNECTOR	6P		R420	BIRC2240105A00	C RESISTOR	220K	
CN303	BI12S60127X	CONNECTOR	6P		R421	BIRC2240105A00	C RESISTOR	220K	
CN304	BI12S60127X	CONNECTOR	6P		R422	BIRC2240105A00	C RESISTOR	220K	
CN305	BI12S200161X	CONNECTOR	2P		R423	BIRC0000105A00	C RESISTOR	0Ω 1/10W	
CN430	BI151040180NM1	WIRE	4P 180mm		R424	BIRC2240105A00	C RESISTOR	220K	
CN701	BI12S160031V	CONNECTOR	16P		R425	BIRC2240105A00	C RESISTOR	220K	
CN702	BI152060075NM5	WIRE	6P 75mm		R601	BIRC1030105A00	C RESISTOR	10KΩ 1/10W	
JK430	BI23B2631V1	USB SOCKET	4P		R602	BIRC8220085M00	C RESISTOR	8.2K	
JR1	BIRC0000105A00	C RESISTOR	0Ω 1/10W		VR401	BI806011X	ENCODER	EC162102E1B-HA1-094	
JR301	BIRC0000105A00	C RESISTOR	0Ω 1/10W		VR402	BI806011X	ENCODER	EC162102E1B-HA1-094	
JR302	BIRC0000165A00	C RESISTOR	0Ω 1/16W						
JR303	BIRC0000165A00	C RESISTOR	0Ω 1/16W		L440	BI18APZ1608A00	FERRITE BEAD	APZ1608	
JR304	BIRC0000165A00	C RESISTOR	0Ω 1/16W						
P2	BI2004770102X1	TERMINAL							
RN701	BIRN1010165A40	C RESISTOR	100Ω		AK	BI167060021001	BACK LIGHT		
RN702	BIRN1010165A40	C RESISTOR	100Ω		BN802	BI152020090NM5	WIRE	2P 90mm	
RN703	BIRN1010165A40	C RESISTOR	100Ω		CN401	BI152050150NM5	WIRE	5P 150mm	
RN704	BIRN1010165A40	C RESISTOR	100Ω		CN402	BI152060140NM5	WIRE	6P 140mm	
RN705	BIRN1010165A40	C RESISTOR	100Ω		CN403	BI152060145NM5	WIRE	6P 145mm	
RN706	BIRN1010165A40	C RESISTOR	100Ω		CN406	BI152030130NM5	WIRE	3P 130mm	
RN707	BIRN1010165A40	C RESISTOR	100Ω		CN407	BI12S30081X	CONNECTOR	3P	
RN708	BIRN1010165A40	C RESISTOR	100Ω		CN408	BI12S30081X	CONNECTOR	3P	
RN709	BIRN1010165A40	C RESISTOR	100Ω		CN409	BI152030130NM5	WIRE	3P 130mm	
RN710	BIRN1010165A40	C RESISTOR	100Ω		CN440	BI152040130NM5	WIRE	4P 130mm	
RN711	BIRN1010165A40	C RESISTOR	100Ω		CN601	BI152040210NM6	WIRE	4P 210mm	
RN712	BIRN1010165A40	C RESISTOR	100Ω		CN602	BI152020350NM5	WIRE	2P 350mm	

## Key board

Block No. [0][2]

Symbol No.	Part No.	Part Name	Description	Local
CN604	BI152040090NM6	WIRE	4P 90mm	
△ CN606	BI152020120NM7	WIRE	2P 120mm	
△ F601	BI44001125N001	FUSE	0251004.NAT1L	
△ F602	BI44001125N001	FUSE	0251004.NAT1L	
JK440	BI23B2451V	JACK	CKX-3.5-31ABW	
△ JK601	BI23A0901X	JACK	KM02022ABMP	
△ JK602	BI23C0531X	SOCKET	HJC-020-P	A,B,C,D,E, F,G,H,I,J,K
△ JK602	BI23C0381X	SOCKET	HJC-020A-P	L,M,P
△ JK602	BI23C0411X	SOCKET	HJC-020-P	N,O
JR401	BIRC0000085A00	C RESISTOR	0Ω 1/8W	
JR402	BIRC0000085A00	C RESISTOR	0Ω 1/8W	
JR403	BIRC0000105A00	C RESISTOR	0Ω 1/10W	
JR404	BIRC0000085A00	C RESISTOR	0Ω 1/8W	
JR440	BI18APZ1608A00	FERRITE BEAD	APZ1608	
JR441	BI18APZ1608A00	FERRITE BEAD	APZ1608	
JR442	BI18APZ1608A00	FERRITE BEAD	APZ1608	
LCD401	BI2703101X	LCD		
S401	BI8SKRGAED0P01	TACT SWITCH	SKRGAED010	
S402	BI8SKRGAED0P01	TACT SWITCH	SKRGAED010	
S403	BI8SKRGAED0P01	TACT SWITCH	SKRGAED010	
S404	BI8SKRGAED0P01	TACT SWITCH	SKRGAED010	
S405	BI8SKRGAED0P01	TACT SWITCH	SKRGAED010	
S406	BI8SKRGAED0P01	TACT SWITCH	SKRGAED010	
S407	BI8SKRGAED0P01	TACT SWITCH	SKRGAED010	
S408	BI8SKRGAED0P01	TACT SWITCH	SKRGAED010	
S409	BI8SKRGAED0P01	TACT SWITCH	SKRGAED010	
S410	BI8SKRGAED0P01	TACT SWITCH	SKRGAED010	
S411	BI8SKRGAED0P01	TACT SWITCH	SKRGAED010	
SW801	BI805821V	SWITCH	SPPB512300	

## iPod board

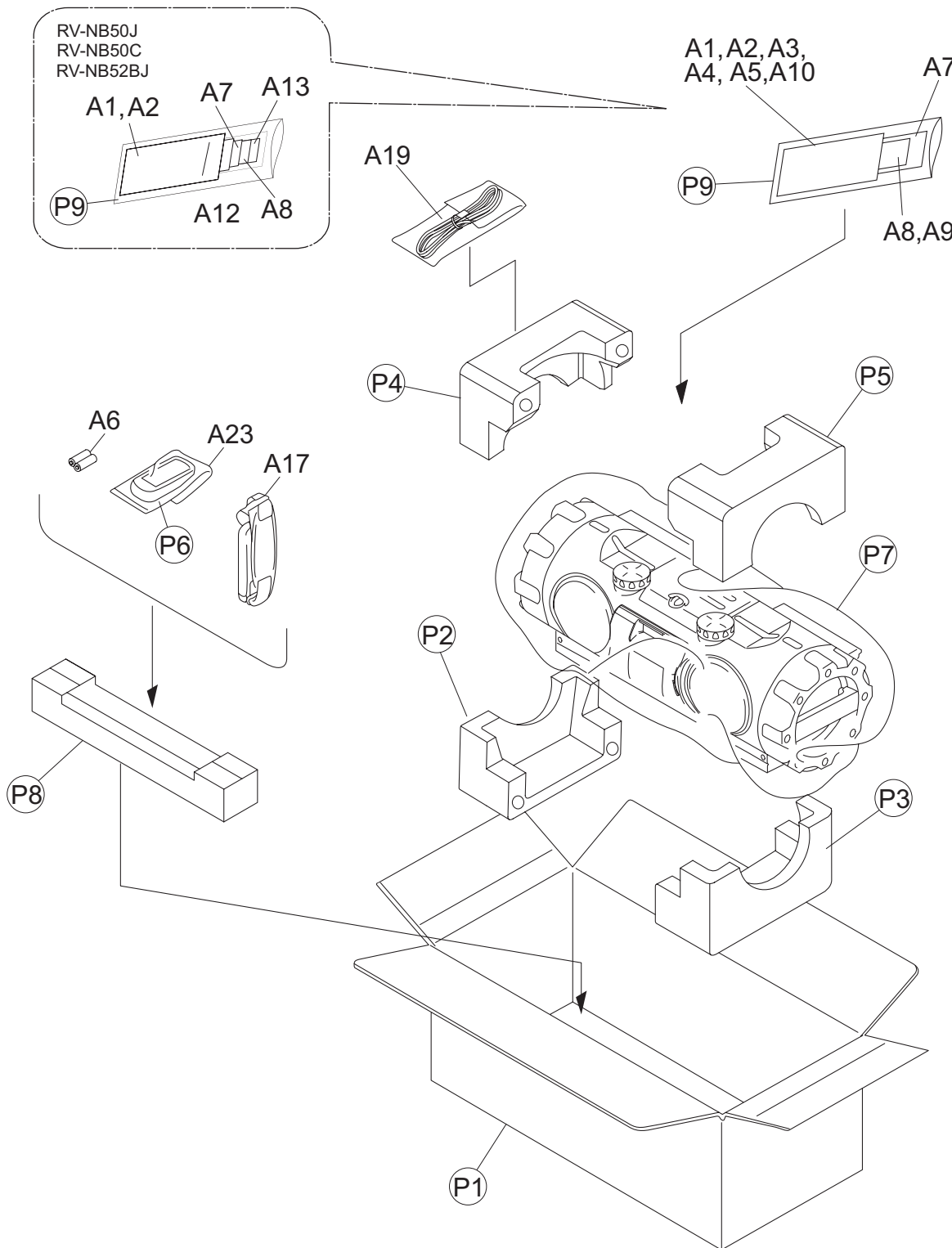
Block No. [0][3]

Symbol No.	Part No.	Part Name	Description	Local
R450	BIRC4939101A00	C RESISTOR	49.9KΩ 1/10W	
R451	BIRC4939101A00	C RESISTOR	49.9KΩ 1/10W	
R452	BIRC7530105A00	C RESISTOR	75KΩ 1/10W	
R453	BIRC7530105A00	C RESISTOR	75KΩ 1/10W	
R454	BIRC5449101A00	C RESISTOR	549KΩ 1/10W	
R455	BIRC4730105A00	C RESISTOR	47KΩ 1/10W	
R456	BIRC1030105A00	C RESISTOR	10KΩ 1/10W	
CN450	BI12S140028X	FFC CONNECTOR		
JK450	BI240V30050A13	iPod CONNECTOR	30P	

# Packing materials and accessories parts list

Block No. M 3 M M

No additional / supplemental order of WARRANTY CARDS are available.



The parts without symbol number are not service.

# Packing and Accessories

Block No. [M][3][M][M]

△	Symbol No.	Part No.	Part Name	Description	Local
A	1	BI440002312000	INST BOOK	ENG(LVT2062-003A)	A
A	1	BI440002304000	INST BOOK	GER(LVT2062-004A)	B,E
A	1	BI440002313000	INST BOOK	SPA(LVT2062-008A)	C,F,J
A	1	BI440002314000	INST BOOK	RUS(LVT2062-013A)	D,G,K
A	1	BI440002312001	INST BOOK	ENG(LVT2062-003B)	H
A	1	BI440002304001	INST BOOK	GER(LVT2062-004B)	I
A	1	BI440002278000	INST BOOK	ENG(LVT2062-001A)	L,M
A	1	BI440002316000	INST BOOK	ENG(LVT2062-017A)	N,O
A	1	BI440002278001	INST BOOK	ENG(LVT2062-001B)	P
A	2	BI440002329000	INST BOOK	FRE(LVT2062-005A)	B,E
A	2	BI440002336000	INST BOOK	POR(LVT2062-009A)	C,F,J
A	2	BI440002340000	INST BOOK	POL(LVT2062-014A)	D,G,K
A	2	BI440002329001	INST BOOK	FRE(LVT2062-005B)	I
A	2	BI440002315000	INST BOOK	FRE(LVT2062-002A)	M
A	2	BI440002318000	INST BOOK	CHI(PEKIN)(LVT2062-018A)	N
A	3	BI440002330000	INST BOOK	DUT(LVT2062-006A)	B,E
A	3	BI440002337000	INST BOOK	SWE(LVT2062-010A)	C,F,J
A	3	BI440002341000	INST BOOK	HUN(LVT2062-015A)	D,G,K
A	3	BI440002330001	INST BOOK	DUT(LVT2062-006B)	I
A	3	BI440002343000	INST BOOK	SPA(LVT2062-019A)	N
A	4	BI440002331000	INST BOOK	ITA(LVT2062-007A)	B,E
A	4	BI440002339000	INST BOOK	DAN(LVT2062-012A)	C,F,J
A	4	BI440002342000	INST BOOK	CZE(LVT2062-016A)	D,G,K
A	4	BI440002331001	INST BOOK	ITA(LVT2062-007B)	I
A	5	BI440002338000	INST BOOK	FIN(LVT2062-011A)	C,F,J
A	6	-----	BATTERY	(x2)	
A	7	-----	WARRANTY CARD	BT-54039-1(0209)	A,B,C,D,E,F,G,H,I,J,K
A	7	-----	WARRANTY CARD		M
A	8	BI400083291001	REGISTER CARD		A,B,C,D,E,F,G,H,I,J,K
A	8	BI400053503001	REGISTER CARD		L,P
A	8	BI400013526000	REGISTER CARD		O
A	9	BI400013525000	REGISTER CARD		O
A	10	BI23A0095X	CONVERSION PLUG		N
A	12	BI400023561000	SAFETY SHEET	ENG/FRE(LVT2097-002A)	L,M,P
A	13	BI400023523001	SAFETY GUIDE CARD		L,M,P
A	17	BI482000021000	SHOULDER BELT		A,B,C,D,H,I,J,K,L,M
A	17	BI482000022000	SHOULDER BELT		E,F,G
A	17	BI482000021001	SHOULDER BELT		N,O,P
△	A	19	BI1402121X	POWER CORD	A,H
△	A	19	BI1402151X	POWER CORD	B,C,D,N
△	A	19	BI1402271X	POWER CORD	E,F,G
△	A	19	BI1402152X	POWER CORD	I,J,K
△	A	19	BI1402031X	POWER CORD	L,M,P
△	A	19	BI1402131X	POWER CORD	O
A	23	BI600NB5002S	REMOCON UNIT		A,B,C,D,E,F,G,H,I,J,K
A	23	BI600NB5005S	REMOCON UNIT		L,M,N,O,P
P	1	BI430002675001	CARTON		A,B,C,D
P	1	BI430002684001	CARTON		E,F,G
P	1	BI430002702000	CARTON		H,I,J,K
P	1	BI430002654000	CARTON		L,M
P	1	BI430002675000	CARTON		N,O
P	1	BI430002729000	CARTON		P
P	2	BI450012181000	CUSHION BTM L		
P	3	BI450012182000	CUSHION BTM R		
P	4	BI450012183000	CUSHION UPPER L		
P	5	BI450012184000	CUSHION UPPER R		
P	6	BI470011926000	POLY BAG		
P	7	BI450032025000	POLY SHEET		
P	8	BI420011361000	CARTON SHEET		
P	9	BI470011057005	POLY BAG		